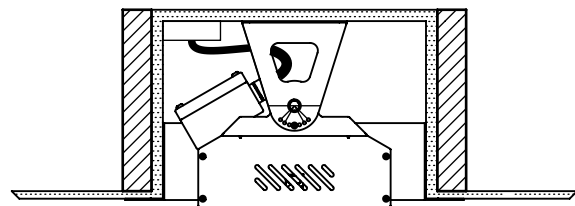
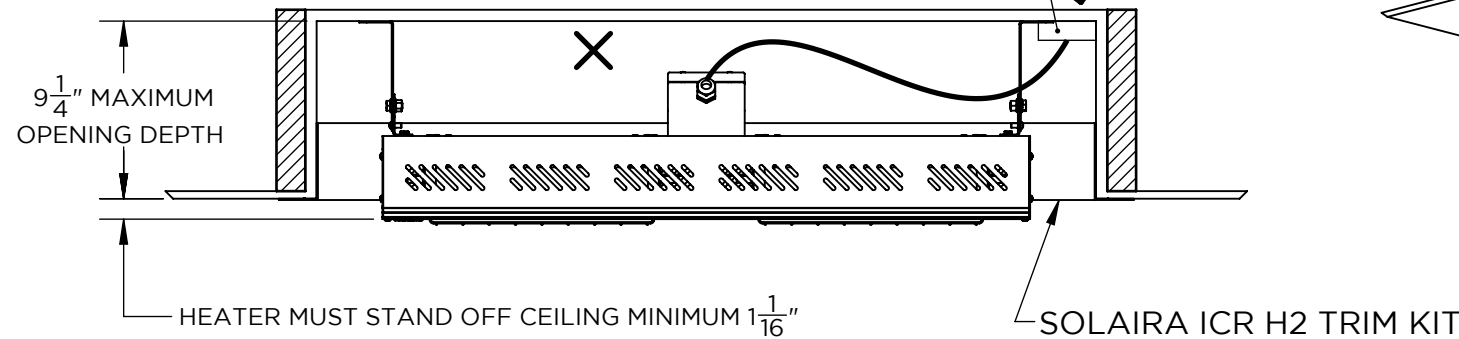


# SOLAIRA ICR H2 RECESS TRIM KIT SPECIFICATION DETAILS

DO NOT MOUNT JUNCTION BOX DIRECTLY BEHIND HEATER. JUNCTION BOX MUST BE INSTALLED TO NEC/ CEC OR LOCAL CODE



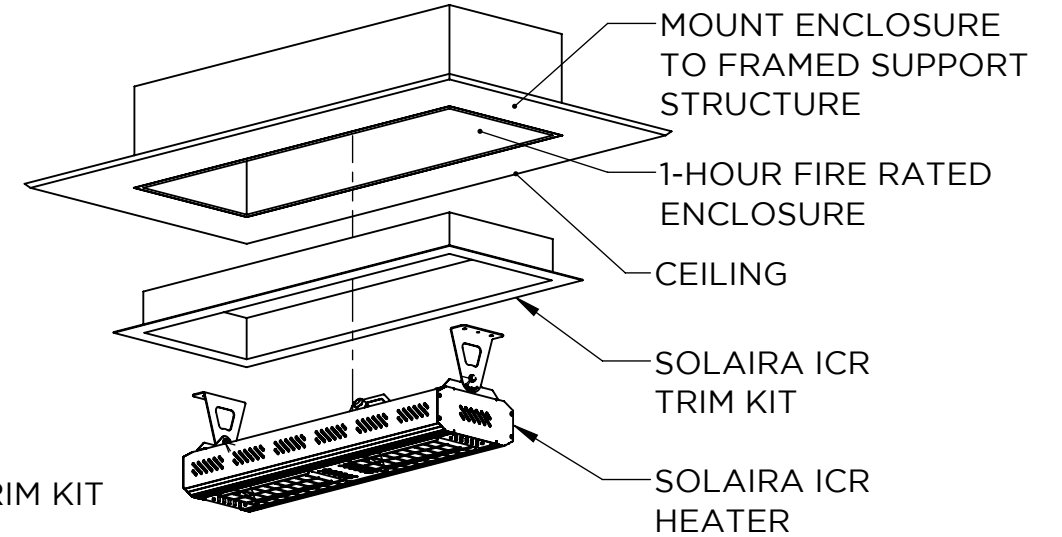
INSTALL HEATER PARALLEL TO THE FLOOR



9 1/4" MAXIMUM OPENING DEPTH

HEATER MUST STAND OFF CEILING MINIMUM 1 1/16"

SOLAIRA ICR H2 TRIM KIT



MOUNT ENCLOSURE TO FRAMED SUPPORT STRUCTURE

1-HOUR FIRE RATED ENCLOSURE

CEILING

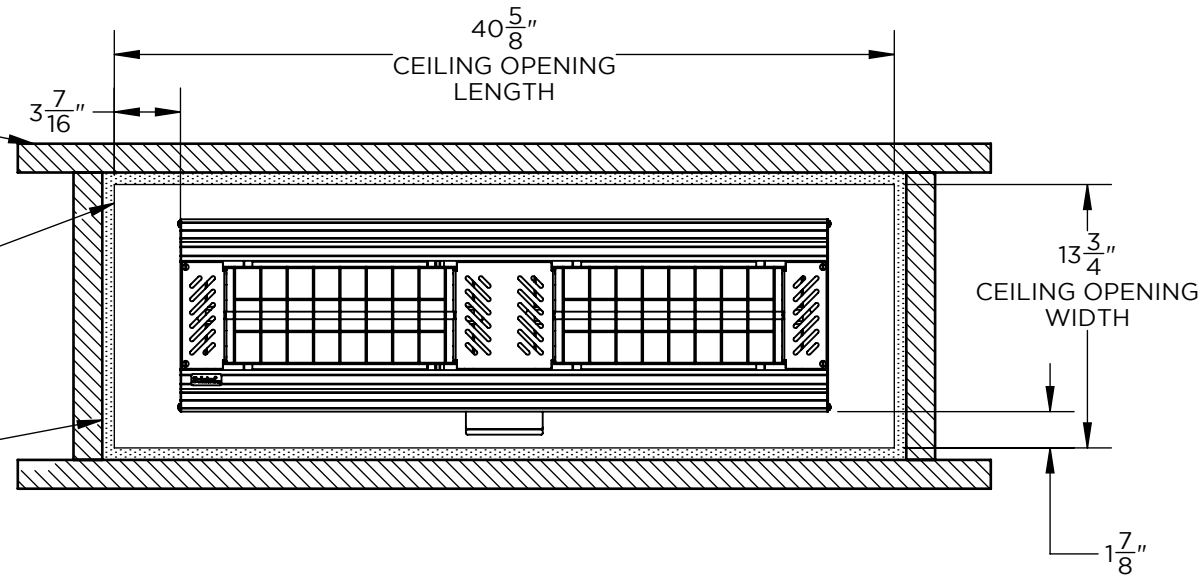
SOLAIRA ICR TRIM KIT

SOLAIRA ICR HEATER

FRAMED SUPPORT STRUCTURE BUILT BY CONTRACTOR

1 HOUR FIRE RATED ENCLOSURE BUILT BY CONTRACTOR

MOUNT TRIM KIT AND FIRE RATED ENCLOSURE TO FRAMED SUPPORT STRUCTURE.



40 5/8" CEILING OPENING LENGTH

3 7/16"

13 3/4" CEILING OPENING WIDTH

1 7/8"

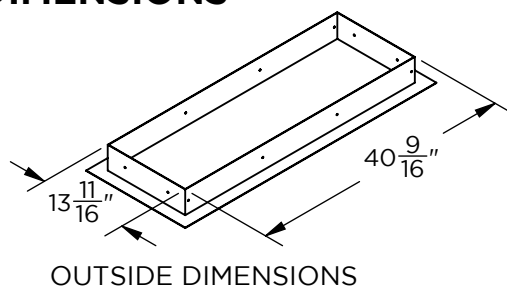


### ICR SERIES TRIM KIT

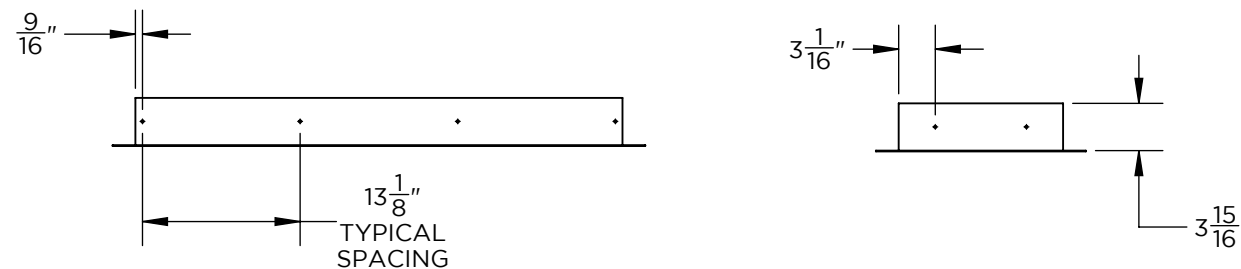
RECESS INSTALLATION REQUIRES A SOLAIRA TRIM KIT AND A FIRE RATED ENCLOSURE MAINTAIN C-CSA-US APPROVAL.

- **SOLAIRA ICR H2 TRIM KIT** MUST BE PURCHASED IN ADDITION TO HEATER AND ENSURES APPROPRIATE CEILING OPENING DIMENSIONS ARE MET.
- **1-HOUR FIRE RATED ENCLOSURE** IS BUILT BY OTHERS AND MUST BE CONSTRUCTED USING 1-HOUR FIRE RATED MATERIAL. TO ENSURE CORRECT FIT USE DIMENSIONS IN THIS DRAWING
- ENCLOSURE MUST BE INSTALLED ON FLAT ROOF
- DISTANCES TO SIDE WALLS AND FLOOR MUST MEET REQUIREMENTS IN PRODUCT MANUAL

### SOLAIRA ICR H2 TRIM KIT DIMENSIONS



OUTSIDE DIMENSIONS



13 1/8" TYPICAL SPACING

3 15/16"

B1	2024-02-23
REVISION	DATE: YYYY-MM-DD

	<b>MODEL SOLAIRA ICR H2 RECESS TRIM KIT</b>	
SHEET NO. 1 OF 1	SHEET SCALE 1:10	SHEET SIZE 11X17

Solaira does not make recommendations regarding installation materials, affixment of heaters, trim kits or fire rated enclosure and assumes no responsibility for the installation. DO NOT INSTALL IN CORNER! If installing near a corner, ensure minimum clearances are observed.

NOTICE: THIS DOCUMENT IS NOT A SUBSTITUTE FOR APPROVED MANUAL. Failure to follow instruction manual may cause fire, electric shock or injury to persons. Solaira™ is a registered trademark of Inforesight Consumer Products. Customer, contractor specifier and installer understands that some or all products provided by Inforesight Consumer Products Inc. may not be available for purchase or installation in certain jurisdictions or geographical areas. Inforesight Consumer Products Inc. reserves the right, in its sole discretion, to exclude or otherwise limit the provision of any product to a person or entity residing in any jurisdiction or geographical area outside of Canada. Inforesight Consumer Products Inc. provides general product installation guidelines and procedures and Customer, contractor, specifier and installer understands that Customer, contractor, specifier and installer is solely and exclusively responsible for installation of the product and ascertaining all applicable local municipal, provincial, state, and federal NEC (National Electrical Code) rules, by-law, ordinances and guidelines applicable to the installation of any Inforesight Consumer Products Inc. products. Customer contractor, specifier and installer must strictly adhere to and be compliant with the local rules, laws, ordinances and legal requirements for the safe installation and use of any Inforesight Consumer Products Inc. products. Instruction manuals are included with the product packaging and copies of our instruction manuals are available upon request. Under no circumstances shall Inforesight Consumer Products Inc. or its affiliated entities, employees, agents, shareholders, officers or directors be liable to Customer or any third party for any product installations and Customer, contractor, specifier and installer releases Inforesight Consumer Products Inc. from any and all losses, death, personal injury, property damage, other damages, rights, claims, demands and actions of any kind arising from the Customer's installation and use of the product, whether the installation was or was not in accord with the provided instruction manual and/or in compliance with applicable local laws. Solaira products are to be installed by licensed technicians per instruction manuals and to all provincial/state and national (N.E.C.) code requirements; specifications subject to change without notice.