

Reference Manual

Solaira Alpha

H1 277V

(1 × Lamp Emitter Heater)

CANADA & USA MODELS:

SALPHA15277C	(240V - 1125W / 277V - 1500W)	
SALPHA15277L1C	(240V - 1125W / 277V - 1500W)	CANDEL LOW LIGHT
SALPHA20277C	(240V - 1500W / 277V - 2000W)	
SALPHA20277L1C	(240V - 1500W / 277V - 2000W)	CANDEL LOW LIGHT

C = COLOR CODE



WEATHERPROOF INFRARED HEATERS SUITABLE FOR OUTDOOR AND INDOOR USE
- COMMERCIAL AND INDUSTRIAL, (RESIDENTIAL 240V OUTDOOR USE ONLY)
IN NON-HAZARDOUS AREAS ⚠️ 🔥 ⚡

INFORESIGHT CONSUMER PRODUCTS INC.

125 Traders Blvd. E Unit # 4, Mississauga, Ontario L4Z 2H3

Tel: 905-568-7655 - Fax: 905-568-7521

Email: info@solairaheaters.com - Website: www.solairaheaters.com



⚠️ IMPORTANT - SAVE THESE INSTRUCTIONS FOR FUTURE REFERENCE



IMPORTANT INSTRUCTIONS



When using electrical INFRARED HEATERS, basic precautions should always be followed to reduce the risk of fire, electric shock, and injury to persons, including the following:

1. **Read all instructions before using this heater.**
2. Use this heater only as described in this manual. Any other use not recommended by the manufacturer may cause fire, electric shock, or injury to persons.
3. This heater is hot when in use. To avoid burns, do not let bare skin touch hot surfaces. If provided, use handles when moving this heater. Keep combustible materials, such as furniture, pillows, bedding, papers, clothes, and curtains at least 6 feet (1.8m) from the front of the heater and keep them away from the sides and rear.
4. Extreme caution is necessary when any heater is used by or near children or invalids and whenever the heater is left operating and unattended.
5. Do not operate any heater with a damaged cord or after the heater malfunctions, has been dropped or damaged in any manner. Return heater to authorized service facility for examination, electrical or mechanical adjustment, or repair.
6. This heater is not intended for use in bathrooms, laundry areas and similar locations. Never locate heater where it may fall into a bathtub or other water container.
7. To disconnect heater, turn controls to off.
WARNING - Each power supply circuit shall be provided with disconnecting means and the disconnecting means shall be grouped together.



IMPORTANT INSTRUCTIONS



8. Do not insert or allow foreign objects to enter any opening as this may cause an electric shock or fire, or damage the heater.
9. To prevent a possible fire, do not block openings in any manner.
10. A heater has hot parts inside. Do not use it in areas where gasoline, paint, or flammable liquids are used or stored.
11. Do not cover or otherwise obstruct the heater.



SAVE THESE INSTRUCTIONS



GROUNDING INSTRUCTIONS

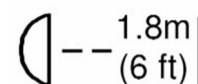
For 240V / 277V heaters, the cords from each terminal box must be permanently connected (hard wired).



WARNING: RISK OF FIRE



Keep combustible material such as furniture, papers, clothes and curtains at least 6 feet (1.8m) from the front of the heater and away from the sides and rear.



Heaters are not intended for use as indoor residential or as a household heater. They may be used for outdoor residential 1.5kW 240V use.




INTRODUCTION

The Alpha H1 heater produces radiant heat like the sun, warming people and objects rather than the air in between. It is mounted on an adjustable bracket that allows the heat to be directed exactly where it is required. The Alpha H1 can also be used in a modular system in that more than one heater can be connected together - see 'Configurations' later in the manual. The Alpha H1 weatherproof heater is designed for indoor and outdoor use.

Please read the following instructions carefully before use. The safety of this heater is guaranteed only by its correct usage in accordance with these instructions, therefore they should be retained for future reference.


CAUTION

Before using this appliance:

1. Check that the voltage indicated on the units rating label corresponds to the mains supply voltage.
2. Do not install the heaters less than the minimum height from the floor as specified below in the specification table.
3. Ensure that the heater has been securely fastened in its final mounting position.
4. **WARNING** - This appliance must be grounded and hard wired! 
5. **WARNING** - Keep the supply cables away from the front and body of the heater which will get hot during use.
6. Do not cover or obstruct the heater while it is in use.
7. Do not insert any object through any slot or opening in the heater.
8. Do not use if a grille is not present.
9. When replacing the lamp emitter or cleaning the unit, ensure that the hard wired circuit(s) is disconnected from the mains supply. **Note:** always ensure that the lamp emitter is cool before handling.
10. Do not handle the halogen emitter with bare hands. If it is inadvertently touched, remove finger marks with a soft cloth and methylated spirit or rubbing alcohol. Otherwise, the marks will burn into the quartz glass of the lamp emitter during use causing premature heater failure. 
11. The heater is not intended for use by young children and must be supervised by a responsible person at all times. 

SPECIFICATION TABLE

Alpha H1 240V / 277V Heaters

Number of Units x Model Type	1 - off SALPHA15277C or SALPHA15277L1C	1 - off SALPHA20277C or SALPHA20277L1C	2 - off SALPHA15277C or SALPHA15277L1C	2 - off SALPHA20277C or SALPHA20277L1C	3 - off SALPHA15277C or SALPHA15277L1C	3 - off SALPHA20277C or SALPHA20277L1C
Voltage	240V / 277V	240V / 277V	240V / 277V	240V / 277V	240V / 277V	240V / 277V
Number of Lamp Emitters x Power	1 x 1125 W / 1500 W	1 x 1500 W / 2000 W	2 x 1125 W / 1500 W	2 x 1500 W / 2000 W	3 x 1125 W / 1500 W	3 x 1500 W / 2000 W
Total Power of Unit	1125 W / 1500 W	1500W / 2000W	2250 W / 3000 W	3000W / 4000W	3375 W / 4500 W	4500W / 6000W
Current per Lamp Emitter	4.7A / 5.4A	6.3A / 7.2A	4.7A / 5.4A	6.3A / 7.2A	5.0A / 5.4A	6.7A / 7.2A
Total Current of Unit	4.7A / 5.4A	6.3A / 7.2A	9.4A / 10.8A	12.5A / 14.4A	14.1A / 16.2A	18.8A / 21.7A
Minimum Mounting Height from Floor/Grade to Bottom of Heater	7ft 10½in (240 cm)					
Minimum Distance from Ceiling to Top of Heater 	7½in (19cm)		15in (38cm)		15in (38cm)	
Minimum Distance from Side Wall to Side of Heater	30in (76 cm) / 30in (76 cm)	30in (76 cm) / 30in (76 cm)	33in (83 cm) / 40in (101 cm)	35in (89 cm) / 39in (99 cm)	30in (76 cm) / 33in (84 cm)	39in (94 cm) / 42in (107 cm)
Dimensions - W x H x D (inc. Bracket & bars in max. position)	17in x 9in x 12¾in (43cm x 23cm x 32cm)		17in x 18¼in x 16in (43cm x 46cm x 41cm)		17in x 27¼in x 17¼in (43cm x 69cm x 44cm)	
Weight	7.5lb (3.4kg)		15lb (6.8kg)		22.5lb (10.2kg)	

CONFIGURATIONS

The Alpha H1 heater contains one lamp emitter. It can be installed as a single unit or joined to one or two other individual units with joining bars that are available to connect the heaters together and increase the size and output of the installation. The maximum number of Alpha H1 heaters that can be joined together is three. Please read the section 'joining heaters together' for information on how this should be done.

INSTALLATION

The heater is fitted with a supply cord measuring 79in (200cm) for hard wiring.

⚠ WARNING: Wiring procedures and connections should be in accordance with the National Electric Code (NEC) and local codes.

⚠ WARNING: If the supply cord(s) becomes damaged, it must be immediately replaced by a qualified person in order to avoid a hazard.

⚠ CAUTION: Disconnect electric power supply before working on circuit wiring to prevent electric shock.

⚠ CAUTION: Please observe the minimum safe distance between the heater body and any inflammable surfaces.

⚠ CAUTION: When the electrical connection is outside weatherproof sockets must be used having ground fault protection (GFCI or GFI).

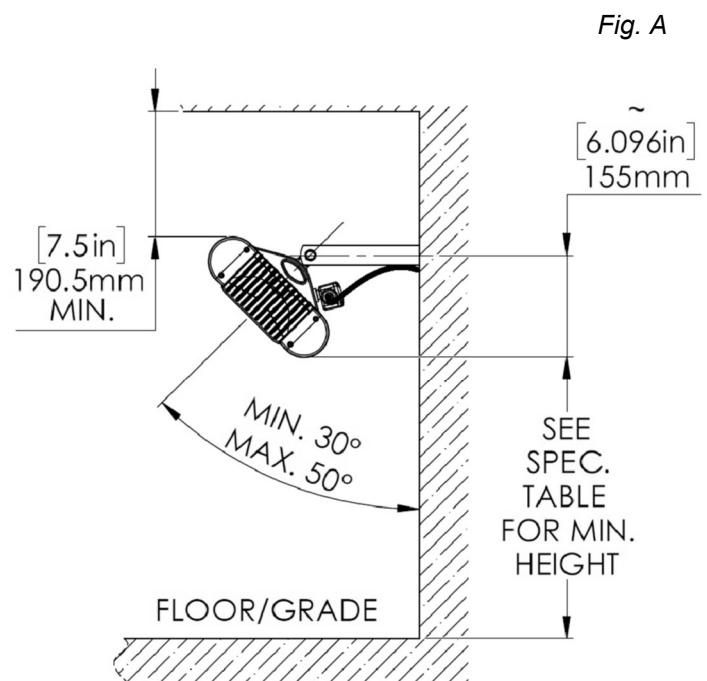
! NOTE: CONSULT A QUALIFIED ELECTRICIAN, IF IN DOUBT.

MOUNTING - ONE SINGLE HEATER

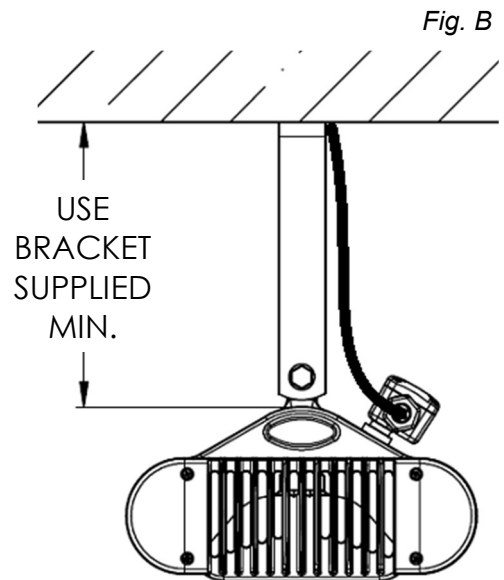
⚠ CAUTION ⚠
Always isolate the heater from the mains supply when mounting or adjusting the heater position.

- The Alpha H1 heater should only be wall mounted in a horizontal manner or hung from a ceiling from chains (not supplied).
- When wall mounting the Alpha H1 heater, do not position the heater at an angle more than 50° and less than 30° as shown in Fig. A.
- When ceiling hanging the Alpha H1 heater, ensure the minimum distance from the ceiling is adhered to as shown in Fig. B.

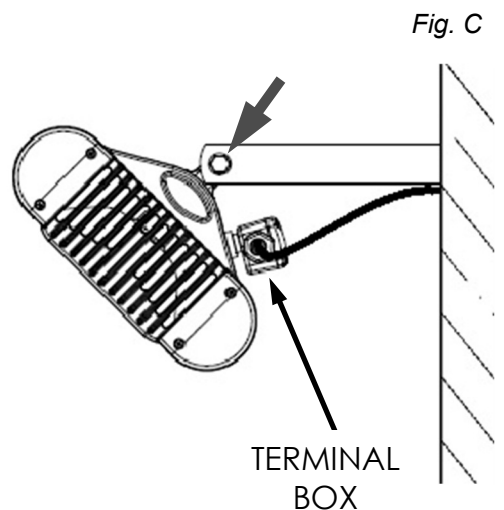
Continued over page...



- When ceiling hanging the Alpha H1 heater, ensure the minimum distance from the ceiling is adhered to as shown in Fig. B.
- Always allow the heater to cool before attempting to reposition/move. Never attempt to move the heater while it is switched on!
- Observe the minimum safe distance between the heater body and inflammable surfaces and objects when mounting.
- Please refer to the specification tables for the recommended positioning of the heater with regards to minimum distances. Do not install the heater in a corner!
- Keep out of the reach of children.



1. When wall mounting, securely fasten the L-shaped wall brackets to the mounting surface using both of the fixing holes in the short part of the bracket (see Fig. D on the next page for mounting hole centres). Please refer to the specification tables for recommended positioning of the heater. Please note. wall fixings are not supplied. They should be selected to substantially support the weight of the installation. If in doubt contact a professional for advice! When hanging from a ceiling two equal length and gauge chains are required and should be selected with fixings that are adequate to hold the weight of the heater. Again, if in doubt contact a professional for advice!



2. The heater should be mounted with the terminal box at the bottom of the heater when being wall mounted.

3. When wall mounting, fix in the required angular position by tightening the fixing bolts on the brackets at the rear of the heater as shown in Fig. C on the next page. The heater should face directly down when hanging.

4. Ensure the supply cable from the terminal box is routed away from the body of the heater.

DRILLING HOLE TEMPLATE DIMENSIONS FOR WALL MOUNTED BRACKETS

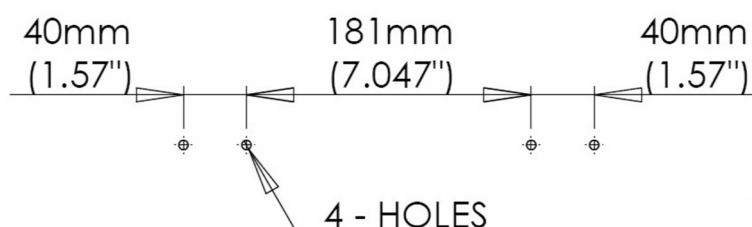


Fig. D

ASSEMBLING - TWO SINGLE HEATERS JOINED (WALL MOUNTED OR CHAIN HANGING)

1. Take the first heater and place it face down on a flat surface.
2. Take the second heater and place it face down and positioned parallel to the first heater.
3. Push the bolts used to hold the wall brackets through the hole in the brackets on the rear heaters and slide a shake-proof washer on all the threads from the protruding side.
4. Slide the joining bars on each bolt and fit a washer and nut – do not fully tighten at this point.
5. Ensure the second heater is still parallel to the first and sitting flat.
6. Slide the joining bars on each protruding bolt of the other heater to connect them together and fit the washers and nuts.
7. Again, ensuring the heaters remain flat, fully tighten all four nuts to secure the joining bars in place.

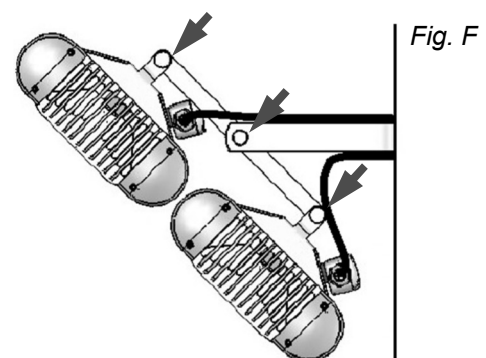
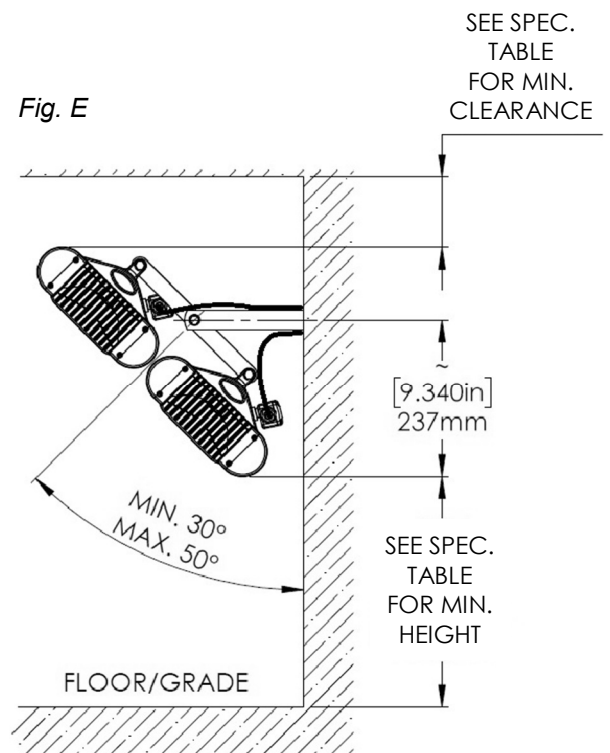
WALL MOUNTING - TWO SINGLE HEATERS JOINED

CAUTION

Always isolate the heater from the mains supply when mounting or adjusting the heater position.

- When wall mounting two Alpha H1 heaters joined together in a horizontal manner, do not position the heater at an angle more than 50° and less than 30° as shown in Fig. E.
- Always allow the heater to cool before attempting to reposition/move. Never attempt to move the heater while it is switched on!
- Observe the minimum safe distance between the heater body and inflammable surfaces and objects when mounting.
- Please refer to the specification tables for the recommended positioning of the heater with regards to minimum distances. Do not install the heater in a corner!
- Keep out of the reach of children.

continued on next page...



1. Securely fasten the L-shaped wall brackets to the mounting surface using both of the fixing holes in the short part of the bracket (see Fig. G for mounting hole template centres). Please refer to the specification tables for recommended positioning of the heater. Please note, wall fixings are not supplied. They should be selected to substantially support the weight of the installation. If in doubt contact a professional for advice!

2. Fix the heater assembly to the brackets via the hole in the centre of the joining bar. The joining bars should slide inside the gap of the two wall brackets.

3. Place a bolt and washer in the hole of the wall bracket and put a serrated washer on the opposite side between the bracket and joining bar. Repeat on opposite side.

DRILLING HOLE TEMPLATE DIMENSIONS FOR WALL MOUNTED BRACKETS

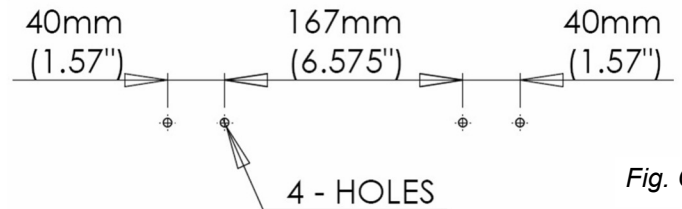


Fig. G

4. Fit the heater assembly to the brackets and place a washer and nut on the bolts protruding through the joining bars.

5. Fully tighten the nut and bolts (Fig. F) with the heaters set as shown in Fig. E.

6. Ensure the supply cables from the terminal boxes are routed away from the body of the heater.

CHAIN HANGING - TWO SINGLE HEATERS JOINED

CAUTION

Always isolate the heater from the mains supply when mounting or adjusting the heater position.

- When two Alpha H1 heaters are joined they can also be chain hung from a ceiling (Fig. H).
- Please refer to the specification tables for the recommended positioning of the heater with regards to minimum distances. Do not install the heater in a corner!
- Always allow the heater to cool before attempting to reposition/move. Never attempt to move the heater while it is switched on!

continued on next page...

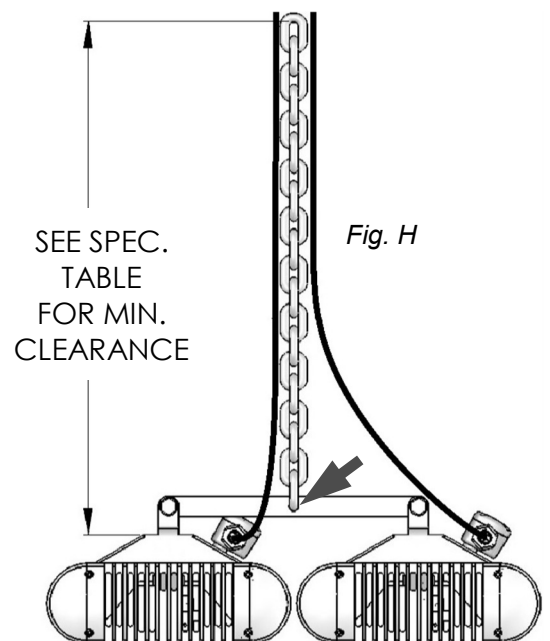


Fig. H

- . Observe the minimum safe distance between the heater body and inflammable surfaces and objects when mounting.
 - . Keep out of the reach of children.
1. Please refer to the specification tables for recommended positioning of the heater. When hanging from a ceiling two chains of equal length and gauge are required and should be selected with fixings that are adequate to hold the weight of the heater. If in doubt contact a professional for advice!
 2. Attach the heater assembly to the chains via the hole in the centre of the joining bar as shown in Fig. H. and ensure the heater faces directly down when hanging.
 3. Ensure the supply cables from the terminal boxes are routed away from the body of the heater.

ASSEMBLING - THREE SINGLE HEATERS JOINED

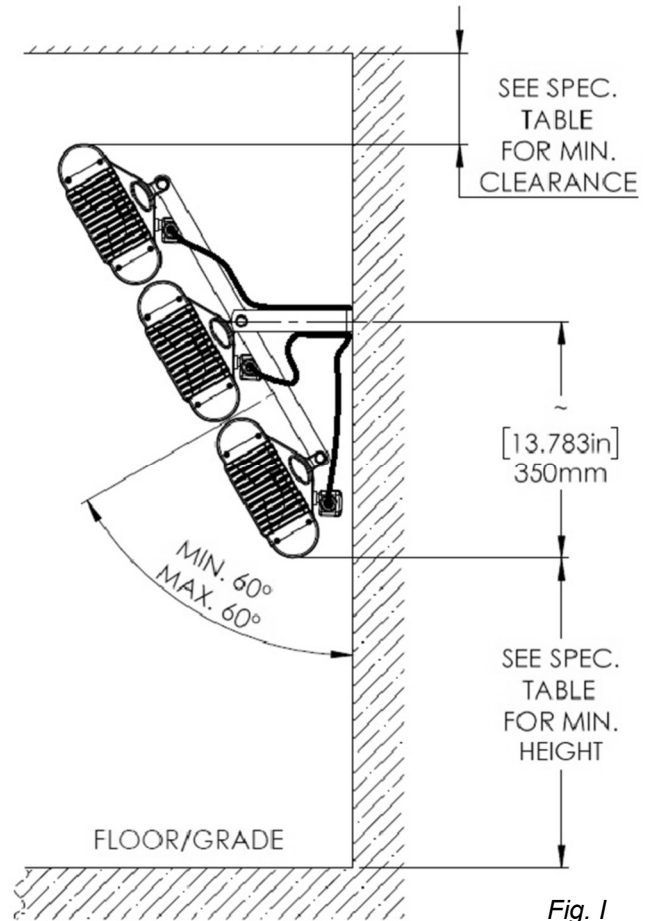
1. Take the first heater and lie it face down on a flat surface.
2. Take the second and third heaters and position them face down and parallel to the first.
3. Push the bolts used to hold the wall brackets through the hole in the brackets on the rear heaters and slide a shake-proof washer on all the threads from the protruding side.
4. Slide the joining bars on each bolt and fit a washer and nut – do not fully tighten at this point.
5. Position the second heater so it's parallel to the first and sitting flat.
6. Take the third heater and a joining bar. Push a bolt and washer through the end hole and place a serrated washer on the other side. Push the bolt through the bracket hole on heater. Repeat on opposite side and secure with a washer and nut – do not fully tighten at this point.
7. Position the third heater so it's parallel to the second.
8. Line-up the bars of the first heater with the brackets of the second heater – they should go on the inside faces like heater one.
9. Line-up the bars of the third heater with the brackets of the second heater – these should go on the outside faces like heater three.
10. Push a bolt from the back of the joining bars through the holes putting a serrated washer on each side of the heater bracket.
11. Fit a washer and nut to both sides and providing the assembly is sitting flat, fully tighten both sides and also the nuts of the first and third heaters to the joining bars.
12. The heater is now ready for mounting or hanging.

WALL MOUNTING - THREE SINGLE HEATERS JOINED

CAUTION

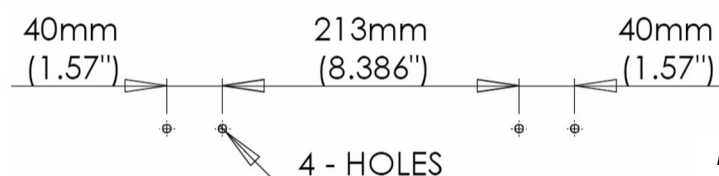
Always isolate the heater from the mains supply when mounting or adjusting the heater position.

- When wall mounting three Alpha H1 heaters joined together in a vertically stacked manner, position the assembly downward as shown in Fig. I.
- Always allow the heaters to cool before attempting to reposition/move. Never attempt to move the heaters while they are switched on!
- Observe the minimum safe distance between the heater body and objects when mounting.
- Please refer to the specification tables for the recommended positioning of the heater with regards to minimum distances. Do not install the heater in a corner!
- Keep out of the reach of children.



- Securely fasten the L-shaped wall brackets to the mounting surface using both of the fixing holes in the short part of the bracket (see Fig. J for mounting hole centres). Please refer to the specification tables for recommended positioning of the heater. Please note. wall fixings are not supplied. They should be selected to substantially support the weight of the heater assembly. If in doubt contact a professional for advice!
- The heater assembly should be mounted with the terminal boxes positioned at the bottom of the heaters.
- Fix the heater assembly to the brackets via the bolt threads on the middle heater. A serrated washer should be placed on the threads first and the wall brackets should prise apart in order to fit the threads in place.
- Place a washer and a nut on the thread on the outside of the wall brackets – both sides.
- Securely tighten the nut and bolts with heaters in line with each other (as assembled on flat surface).
- Ensure the supply cables from the terminal boxes are routed away from the body of the heater.

DRILLING HOLE TEMPLATE DIMENSIONS FOR WALL MOUNTED BRACKETS



CHAIN HANGING - THREE SINGLE HEATERS JOINED

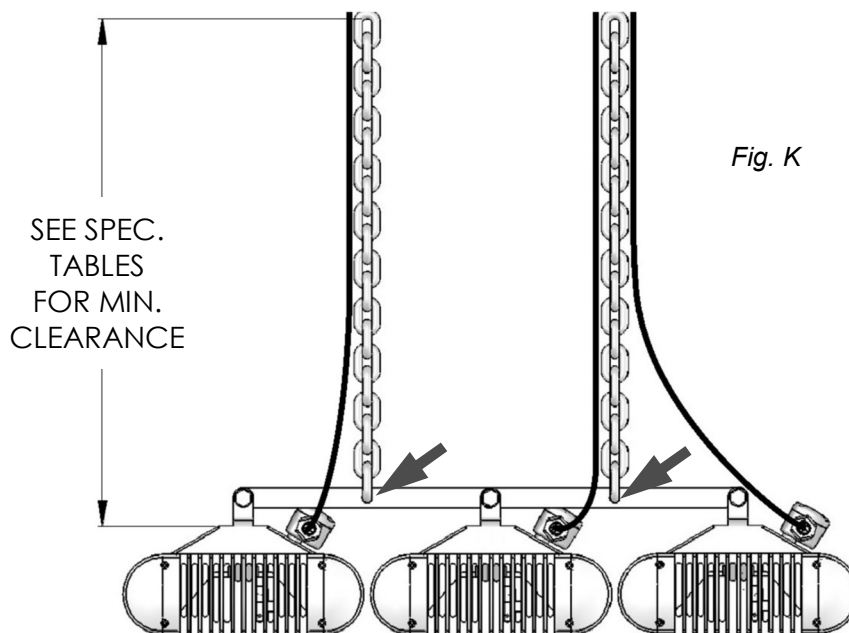


CAUTION



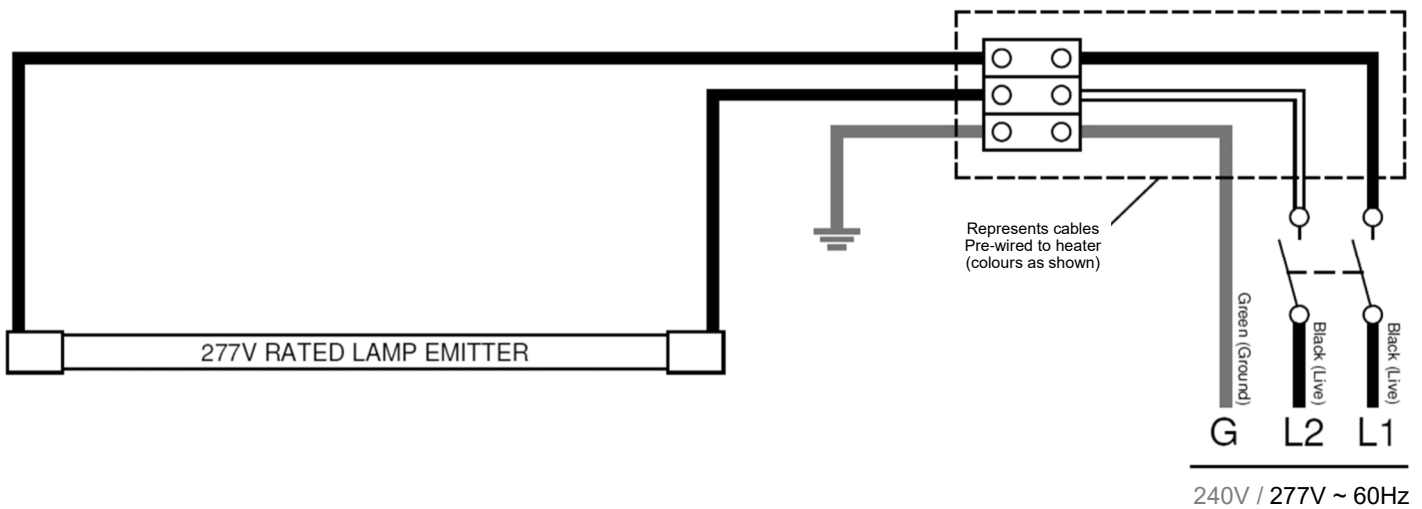
Always isolate the heater from the mains supply when mounting or adjusting the heater position.

- When three Alpha H1 heaters are joined they should only be hung from a ceiling on chains - do not wall mount!
 - Always allow the heater to cool before attempting to reposition/move. Never attempt to move the heater while it is switched on!
 - Observe the minimum safe distance between the heater body and inflammable surfaces and objects when mounting.
 - Please refer to Table 1 for the recommended positioning of the heater with regards to minimum distances. Do not install the heater in a corner!
 - Keep out of the reach of children.
1. Please refer to the specification tables for recommended positioning of the heater. When hanging from a ceiling four chains of equal length and gauge are required and should be selected with fixings that are adequate to hold the weight of the heater. If in doubt contact a professional for advice!
 2. Fix the heater assembly to the chains via the hole in the centre of the joining bars as shown in Fig. K. and ensure the heaters face directly down when hanging.
 3. Ensure the supply cables from the terminal boxes are routed away from the body of the heater.



CIRCUIT DIAGRAM

Fig. L



MAINTENANCE (277V CIRCUIT)

! NOTE: For replacement lamp emitters or spare parts please contact your local distributor quoting model type and rating from rating label. It is very important that your replacement lamp emitters are exactly the same as the one it was supplied with. Failure to fit the exact same type can cause the heater to prematurely fail.

! CAUTION: Isolate unit from the mains supply before replacing a lamp emitter or any maintenance procedure including cleaning.

! CAUTION: Should dust or dirt appear on the reflectors, it is recommended that the wire grilles are removed and carefully wipe the reflectors with a lint-free cloth taking care not to get finger marks on the lamp emitters.

YOUR REPLACEMENT 277V LAMP EMITTER

! CAUTION: Please ensure that the length of wires on the replacement lamp emitter are the same as shown in the diagram below (Fig. M).

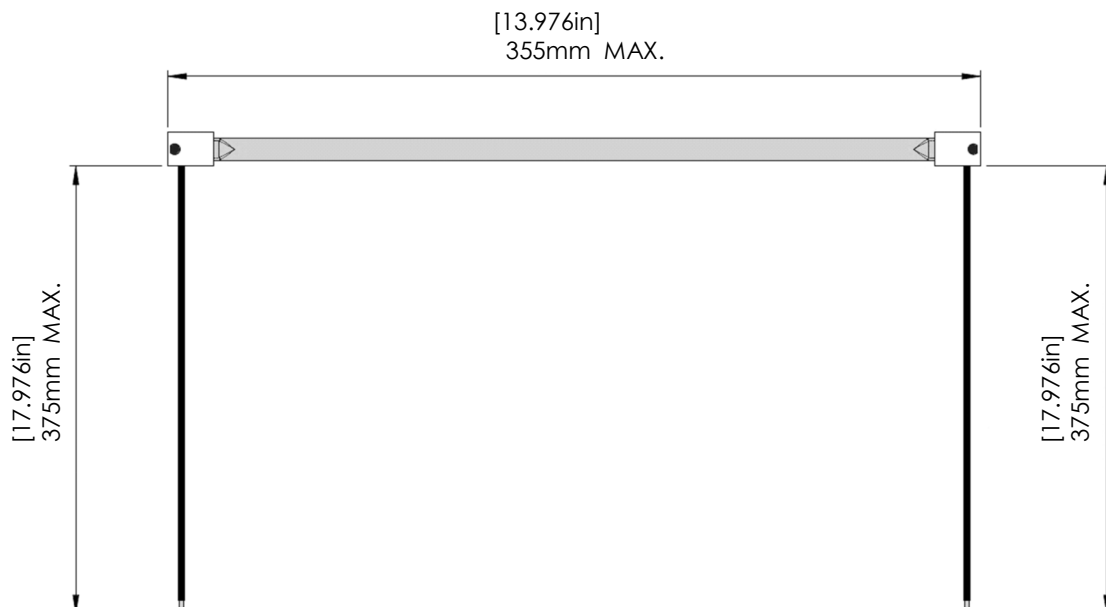
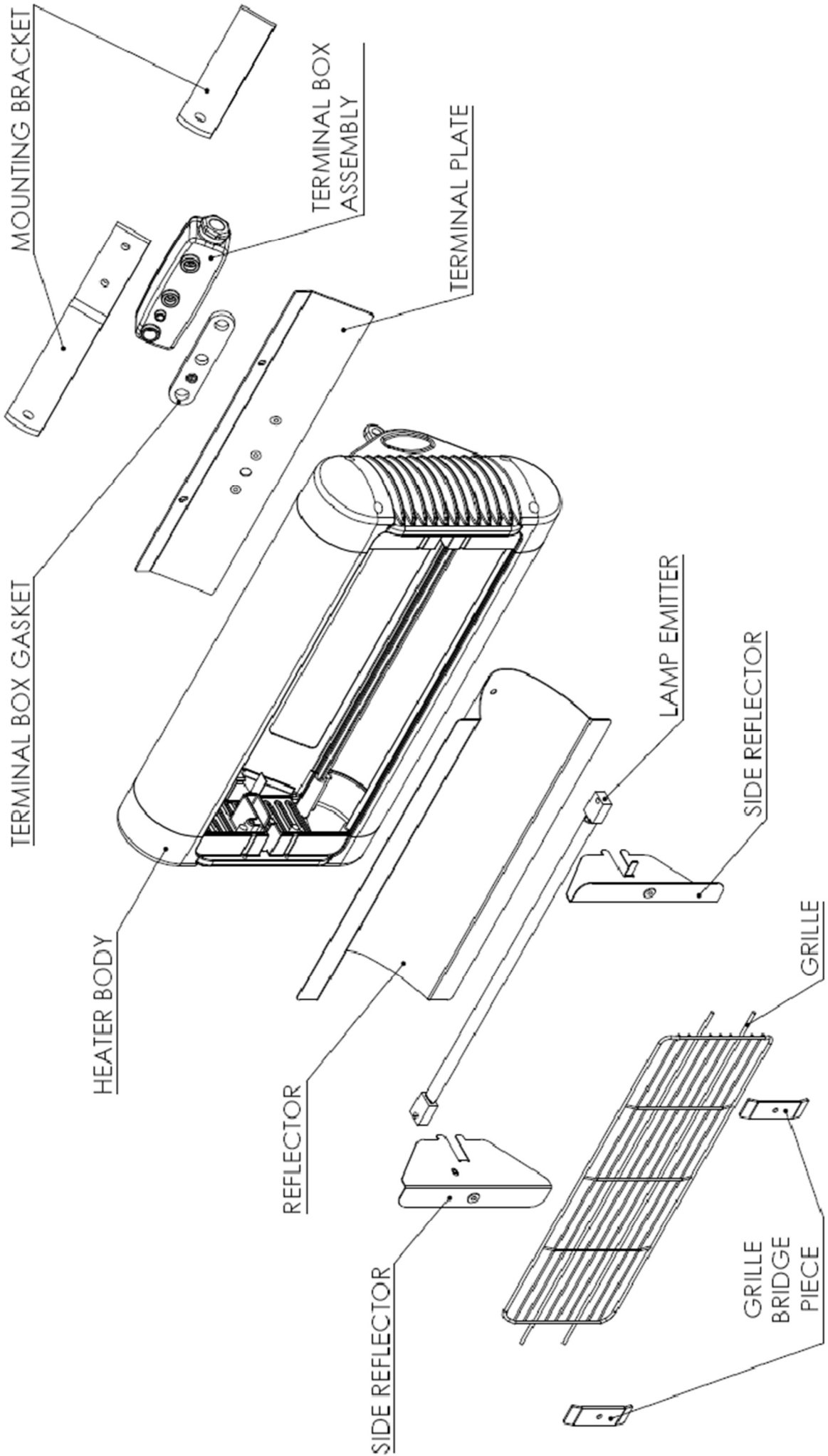


Fig. M

ALPHA H1 - COMPONENT PART DIAGRAM

Fig. N



REPLACING A 277V LAMP EMITTER



CAUTION



Always isolate the mains power from the heater or heater assembly before any attempts are made to replace the lamp emitter. Contact your distributor for the correct replacement lamp emitter quoting model type and rating from rating label. It is important that you read through the lamp emitter replacement procedure before commencing.

1. Ensure the heater and lamp emitter is cool and the power supply is disconnected before disassembly.

2. Remove the screws from the terminal box at the back of the lamp emitter to be replaced and lift off the lid - see Fig. P.



Fig. P

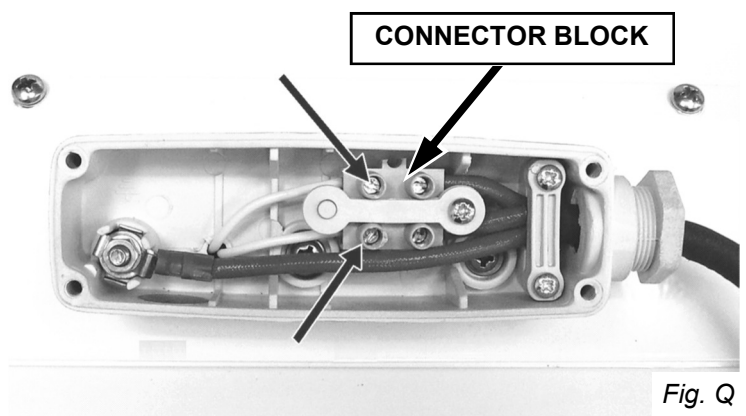


Fig. Q

3. Disconnect the lamp emitter from the connector block by unscrewing the screws highlighted above in Fig. Q and remove the lamp emitter wires from the connector block.

4. At the back of the heater, remove the terminal plate (holding the terminal box) by removing the 2 × fixing screws as shown in Fig. R.

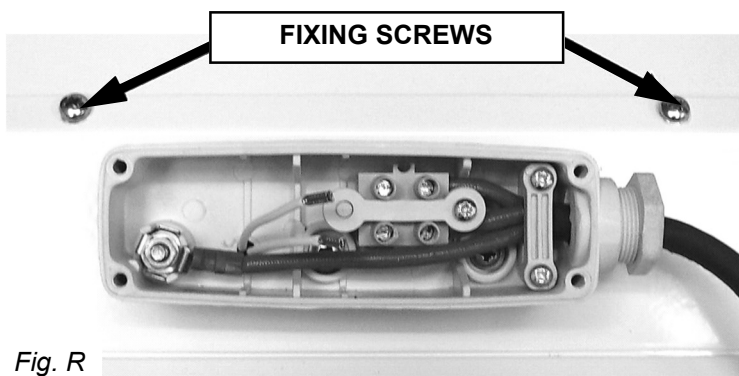


Fig. R



Fig. S

5. Pull the emitter wires one at a time through the gasket on the terminal plate to remove as shown in Fig. S.

continued on next page...

6. At the front of the heater, remove the grille bridging clamps as shown in Fig. T from both sides of the grille by undoing the centre screws and gently remove the grille by pulling it out from the centre and prizing the prongs away from their locating holes at one end (Fig. U) and pull out of opposite end.



Fig. T



Fig. U

7. Remove the screw from the side reflector (Fig. V) and lift the side reflector up and away from the heater. Repeat at the opposite end to remove other side reflector.

8. The lamp emitter wires should be pulled out of the side slots (Fig. W) and the lamp emitter can be lifted up completely. The wires can then be gently pulled forward so that they come out from behind the reflector.



Fig. V



Fig. W

9. The lamp emitter can now be removed away from the heater leaving it ready to have the new lamp emitter fitted as shown in Fig. X.

continued on next page...



Fig. X

10. Refit the new lamp emitter in reverse order making sure that no wires can get trapped. Replace the side reflectors and their screws before any other parts are fitted to make sure the lamp emitter is held securely.

11. Refit the grille by taking it and inserting the 2 × prongs into the holes in the end of the heater (left side shown below in Fig. Y) and gently flex the grille to insert the 2 × opposite prongs into the grille holder holes to the other side of the heater and refit the grille bridging pieces over the grille prongs.

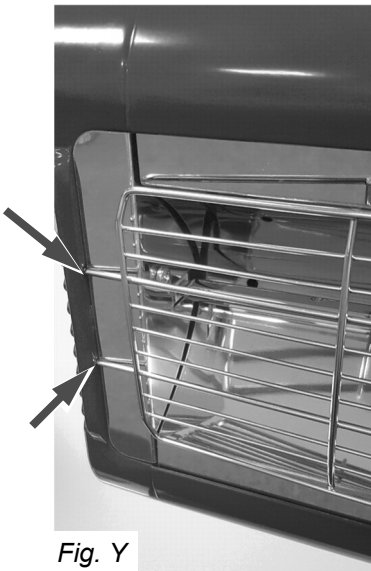


Fig. Y

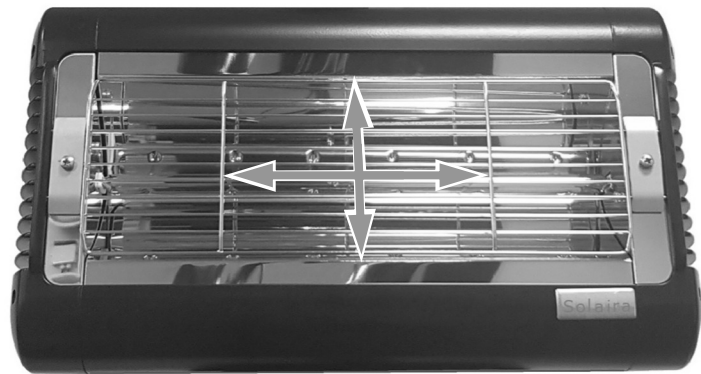


Fig. Z

12. Check the fitment of the grille by moving it to its extreme left and right positions/pushing up and down to ensure it is securely located in its fixing as shown above in Fig. Z.

Solaira Alpha H1 277V

CANADA & USA MODELS:

SALPHA15277C	(240V - 1125W / 277V - 1500W)	
SALPHA15277L1C	(240V - 1125W / 277V - 1500W)	CANDEL LOW LIGHT
SALPHA20277C	(240V - 1500W / 277V - 2000W)	
SALPHA20277L1C	(240V - 1500W / 277V - 2000W)	CANDEL LOW LIGHT

C = COLOR CODE



Also available in this range...

Solaira Alpha H2 277V



Solaira Alpha H3 277V



**IMPORTANT - SAVE THESE
INSTRUCTIONS FOR FUTURE REFERENCE**



INFORESIGHT CONSUMER PRODUCTS INC.

125 Traders Blvd. E Unit # 4, Mississauga, Ontario L4Z 2H3

Tel: 905-568-7655 - Fax: 905-568-7521 - Email: info@solairaheaters.com - Website: www.solairaheaters.com

Due to our policy of ongoing improvement, we reserve the right to make changes without notice.

© 2020 INFORESIGHT CONSUMER PRODUCTS INC.

Ref No. 043482-EN-S Issue No. Oa