

Reference Manual

# Solaira

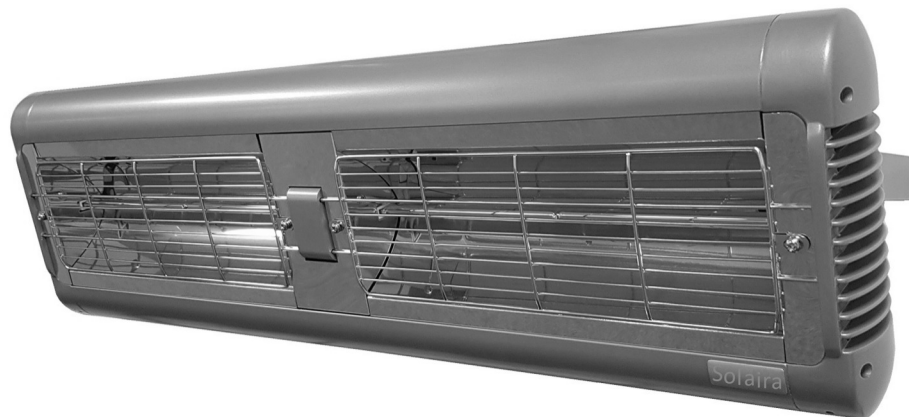
# Alpha H2

(2 × Lamp Emitter Heater)

**CANADA & USA MODELS:**

SALPHAH2-20240-C	(208V - 1500 / 240V - 2000W)	
SALPHAH2-20240LL-C	(208V - 1500 / 240V - 2000W)	CANDEL LOW LIGHT
SALPHAH2-30240-C	(208V - 2250 / 240V - 3000W)	
SALPHAH2-30240LL-C	(208V - 2250 / 240V - 3000W)	CANDEL LOW LIGHT
SALPHAH2-40240-C	(208V - 3000 / 240V - 4000W)	
SALPHAH2-40240LL-C	(208V - 3000 / 240V - 4000W)	CANDEL LOW LIGHT

**C = COLOR CODE**



**WEATHERPROOF INFRARED HEATERS SUITABLE FOR OUTDOOR AND INDOOR USE  
- COMMERCIAL, INDUSTRIAL AND RESIDENTIAL (OUTDOOR USE ONLY)**

**IN NON-HAZARDOUS AREAS** ⚠️ 🔥 ⚡



**INFORESIGHT CONSUMER PRODUCTS INC.**

125 Traders Blvd. E Unit # 4, Mississauga, Ontario L4Z 2H3

Tel: 905-568-7655 - Fax: 905-568-7521

Email: [info@solairaheaters.com](mailto:info@solairaheaters.com) - Website: [www.solairaheaters.com](http://www.solairaheaters.com)

**⚠️ IMPORTANT - SAVE THESE INSTRUCTIONS FOR FUTURE REFERENCE**



## IMPORTANT INSTRUCTIONS



When using electrical INFRARED HEATERS, basic precautions should always be followed to reduce the risk of fire, electric shock, and injury to persons, including the following:

1. **Read all instructions before using this heater.**
2. Use this heater only as described in this manual. Any other use not recommended by the manufacturer may cause fire, electric shock, or injury to persons.
3. This heater is hot when in use. To avoid burns, do not let bare skin touch hot surfaces. If provided, use handles when moving this heater. Keep combustible materials, such as furniture, pillows, bedding, papers, clothes, and curtains at least 6 feet (1.8m) from the front of the heater and keep them away from the sides and rear.
4. Extreme caution is necessary when any heater is used by or near children or invalids and whenever the heater is left operating and unattended.
5. Do not operate any heater with a damaged cord or after the heater malfunctions, has been dropped or damaged in any manner. Return heater to authorized service facility for examination, electrical or mechanical adjustment, or repair.
6. This heater is not intended for use in bathrooms, laundry areas and similar locations. Never locate heater where it may fall into a bathtub or other water container.
7. To disconnect heater, turn controls to off.  
**WARNING** - Each power supply circuit shall be provided with disconnecting means and the disconnecting means shall be grouped together.



## IMPORTANT INSTRUCTIONS



8. Do not insert or allow foreign objects to enter any opening as this may cause an electric shock or fire, or damage the heater.
9. To prevent a possible fire, do not block openings in any manner.
10. A heater has hot parts inside. Do not use it in areas where gasoline, paint, or flammable liquids are used or stored.
11. Do not cover or otherwise obstruct the heater.



## SAVE THESE INSTRUCTIONS



### GROUNDING INSTRUCTIONS

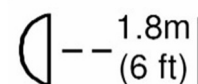
For 208V / 240V heaters, the cords from each terminal box must be permanently connected (hard wired).



## WARNING: RISK OF FIRE



Keep combustible material such as furniture, papers, clothes and curtains at least 6 feet (1.8m) from the front of the heater and away from the sides and rear.






# INTRODUCTION

The Alpha H2 heater produces radiant heat like the sun, warming people and objects rather than the air in between. It is mounted on an adjustable bracket that allows the heat to be directed exactly where it is required. The Alpha H2 can also be used in a modular system in that more than one heater can be connected together - see 'Configurations' later in the manual. The Alpha H2 weatherproof heater is designed for indoor and outdoor use.

**Please read the following instructions carefully before use. The safety of this heater is guaranteed only by its correct usage in accordance with these instructions, therefore they should be retained for future reference.**

## **CAUTION**

Before using this appliance:

1. Check that the voltage indicated on the units rating label corresponds to the mains supply voltage.
2. Do not install the heaters less than the minimum height from the floor as specified below in the specification table.
3. Ensure that the heater has been securely fastened in its final mounting position.
4. **WARNING** - This appliance must be grounded and hard wired! 
5. **WARNING** - Keep the supply cables away from the front and body of the heater which will get hot during use.
6. Do not cover or obstruct the heater while it is in use.
7. Do not insert any object through any slot or opening in the heater.
8. Do not use if a grille is not present.
9. When replacing the lamp emitter or cleaning the unit, ensure that the hard wired circuit(s) is disconnected from the mains supply. **Note:** always ensure that the lamp emitter is cool before handling.
10. Do not handle the halogen emitter with bare hands. If it is inadvertently touched, remove finger marks with a soft cloth and methylated spirit or rubbing alcohol. Otherwise, the marks will burn into the quartz glass of the lamp emitter during use causing premature heater failure. 
11. The heater is not intended for use by young children and must be supervised by a responsible person at all times. 

## SPECIFICATION TABLE - Alpha H2 Heaters

No. of Units x Model Type	1 x SALPHAH2-20240-C or SALPHAH2-20240LL-C	1 x SALPHAH2-30240-C or SALPHAH2-30240LL-C	1 x SALPHAH2-40240-C or SALPHAH2-40240LL-C	2 x SALPHAH2-20240-C or SALPHAH2-20240LL-C	2 x SALPHAH2-30240-C or SALPHAH2-30240LL-C	2 x SALPHAH2-40240-C or SALPHAH2-40240LL-C	3 x SALPHAH2-20240-C or SALPHAH2-20240LL-C	3 x SALPHAH2-30240-C or SALPHAH2-30240LL-C	3 x SALPHAH2-40240-C or SALPHAH2-40240LL-C
Voltage (Volts)	208 / 240								
No. of Emitters x Power (Watts)	2 x 750 / 1000	2 x 1125 / 1500	2 x 1500 / 2000	4 x 750 / 1000	4 x 1125 / 1500	4 x 1500 / 2000	6 x 750 / 1000	6 x 1125 / 1500	6 x 1500 / 2000
Total Power of Unit (Watts)	1500 / 2000	2250 / 3000	3000 / 4000	3000 / 4000	4500 / 6000	6000 / 8000	4500 / 6000	6750 / 9000	9000 / 12000
Current (Amps) per Emitter	3.6 / 4.2	5.4 / 6.3	7.2 / 8.3	3.6 / 4.2	5.4 / 6.3	7.2 / 8.3	3.6 / 4.2	5.4 / 6.3	7.2 / 8.3
Total Current (Amps) of Unit	7.2 / 8.3	10.8 / 12.5	14.4 / 16.7	14.4 / 16.7	21.6 / 25.0	28.8 / 33.3	21.6 / 25.0	32.5 / 37.5	43.3 / 50.0
Min. Mounting Height From Floor	79 in / 98 <sup>1</sup> / <sub>4</sub> in (201 cm / 250 cm)	98 <sup>1</sup> / <sub>4</sub> in (250 cm)		108 in / 120 in (274 cm / 305 cm)		120 in / 144 in (305 cm / 366 cm)	108 in / 120 in (274 cm / 305 cm)	132 in / 158 in (335 cm / 401 cm)	158 in / 177 in (401 cm / 450 cm)
Min. Distance From Ceiling	<b>19<sup>1</sup>/<sub>2</sub> in (50 cm)</b>								
Min. Distance From Side Wall	39 <sup>1</sup> / <sub>2</sub> in (100 cm)								
Dimensions - W x H x D (inc. bracket & bars max pos.)	32 <sup>1</sup> / <sub>4</sub> in x 9 in x 12 <sup>3</sup> / <sub>4</sub> in (82 cm x 23 cm x 32 cm)			32 <sup>1</sup> / <sub>4</sub> in x 18 <sup>1</sup> / <sub>4</sub> in x 5 <sup>3</sup> / <sub>4</sub> in (82 cm x 47 cm x 15 cm)			32 <sup>1</sup> / <sub>4</sub> in x 27 <sup>1</sup> / <sub>4</sub> in x 5 <sup>3</sup> / <sub>4</sub> in (82 cm x 69 cm x 15 cm)		
Weight	12.3 lb (5.6 kg)			24.7 lb (11.2 kg)			37.0 lb (16.8 kg)		

**▲ WARNING - RISK OF FIRE:** Heaters rated at 208 / 240 Volt, 2 Kilowatt and above are not intended for use as indoor residential or as a household heater but maybe used for commercial/industrial use.

# CONFIGURATIONS

The Alpha H2 heater contains two lamp emitters. It can be installed as a single unit or joined to one or two other individual units with joining bars that are available to connect the heaters together and increase the size and output of the installation. The maximum number of Alpha H2 heaters that can be joined together is three. Please read the section 'joining heaters together' for information on how this should be done.

## INSTALLATION

The heater is fitted with 2 × supply cords measuring 79in (200cm) for hard wiring.

**⚠ WARNING:** Wiring procedures and connections should be in accordance with the National Electric Code (NEC) and local codes.

**⚠ WARNING:** If the supply cord(s) becomes damaged, it must be immediately replaced by a qualified person in order to avoid a hazard.

**⚠ CAUTION:** Disconnect electric power supply before working on circuit wiring to prevent electric shock.

**⚠ CAUTION:** Please observe the minimum safe distance between the heater body and any inflammable surfaces.

**⚠ CAUTION:** When the electrical connection is outside weatherproof sockets must be used having ground fault protection (GFCI or GFI).

**! NOTE:** CONSULT A QUALIFIED ELECTRICIAN, IF IN DOUBT.

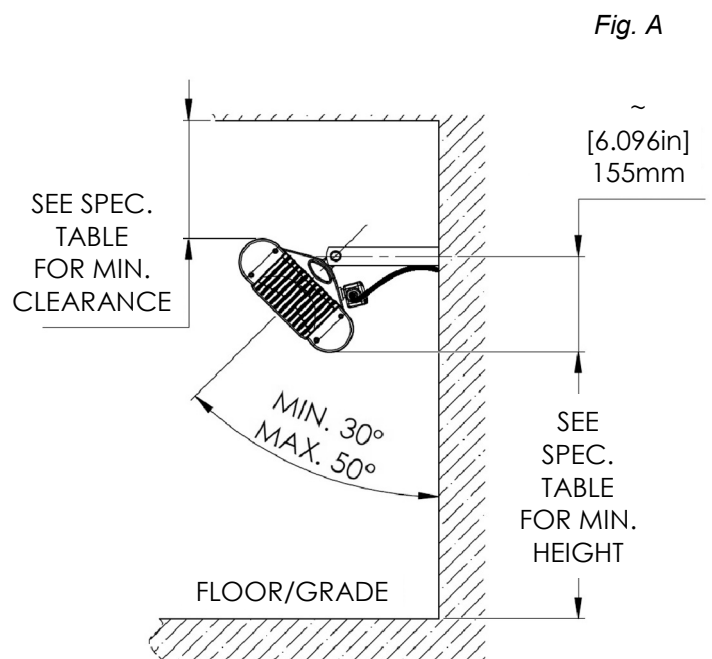
## MOUNTING - 1 × DOUBLE (TWO LAMP EMITTER) HEATER

**⚠ CAUTION ⚠**

**Always isolate the heater from the mains supply when mounting or adjusting the heater position.**

- The Alpha H2 heater should only be wall mounted in a horizontal manner or hung from a ceiling from chains (not supplied).
- When wall mounting the Alpha H2 heater, do not position the heater at an angle more than 50° and less than 30° as shown in Fig. A.
- When ceiling hanging the Alpha H2 heater, ensure the minimum distance from the ceiling is adhered to as shown in Fig. B.

*Continued...*



- Always allow the heater to cool before attempting to reposition/move. Never attempt to move the heater while it is switched on!
- Observe the minimum safe distance between the heater body and inflammable surfaces and objects when mounting.
- Please refer to the Specification Table for the recommended positioning of the heater with regards to minimum distances. Do not install the heater in a corner!
- Keep out of the reach of children.

1. When wall mounting, securely fasten the L-shaped wall brackets to the mounting surface using both of the fixing holes in the short part of the bracket (see Fig. D for mounting hole centres). Please refer to the Specification Table for recommended positioning of the heater. Please note, wall fixings are not supplied. They should be selected to substantially support the weight of the installation. If in doubt contact a professional for advice! When hanging from a ceiling two equal length and gauge chains are required and should be selected with fixings that are adequate to hold the weight of the heater. Again, if in doubt contact a professional for advice!

2. The heater should be mounted with the terminal box at the bottom of the heater when being wall mounted.

3. When wall mounting, fix in the required angular position by tightening the fixing bolts on the brackets at the rear of the heater as shown in Fig. C. The heater should face directly down when hanging.

4. Secure the supply cable so it is not resting on the body or obstructing the air-vents.

**Always isolate the heater from the mains supply when adjusting the position.**

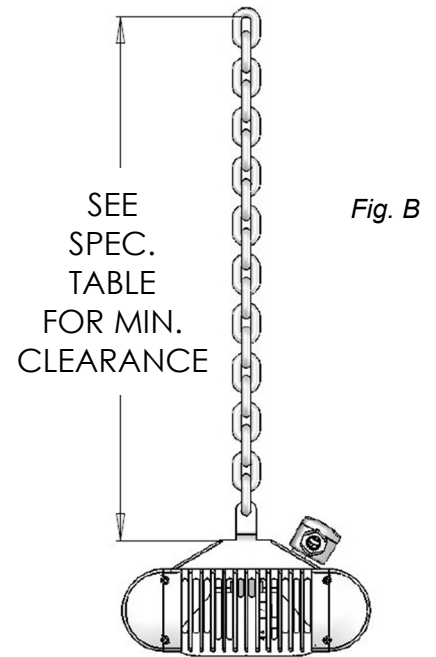


Fig. B

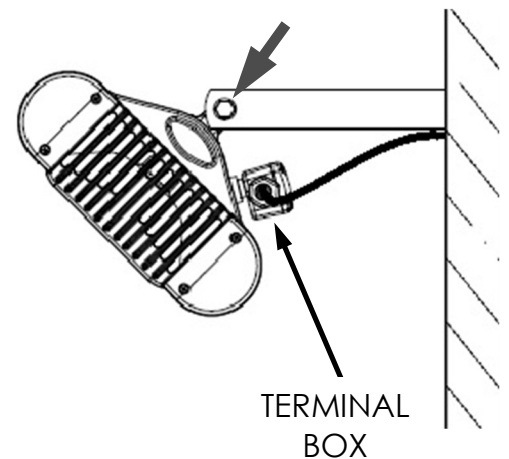


Fig. C

**DRILLING HOLE TEMPLATE DIMENSIONS FOR WALL MOUNTED BRACKETS**

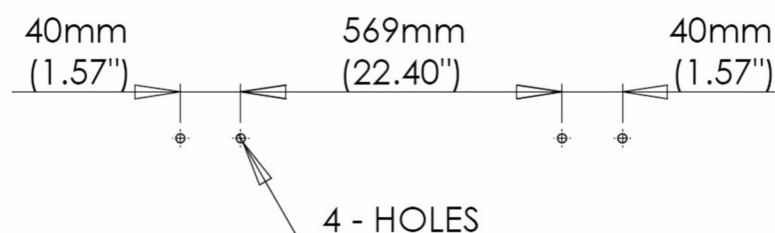


Fig. D

## ASSEMBLING - 2 × DOUBLE (TWO LAMP EMITTER) HEATERS JOINED

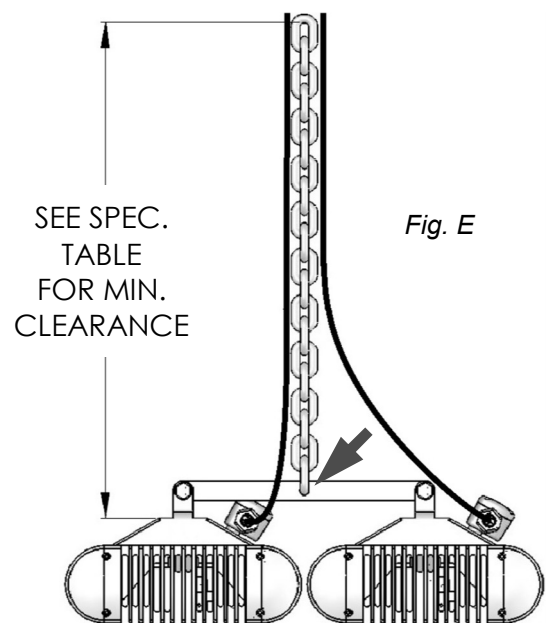
1. Take the first heater and place it face down on a flat surface.
2. Take the second heater and place it face down and positioned parallel to the first heater.
3. Push the bolts used to hold the wall brackets through the hole in the brackets on the rear heaters and slide a shake-proof washer on all the threads from the protruding side.
4. Slide the joining bars on each bolt and fit a washer and nut – do not fully tighten at this point.
5. Ensure the second heater is still parallel to the first and sitting flat.
6. Slide the joining bars on each protruding bolt of the other heater to connect them together and fit the washers and nuts.
7. Again, ensuring the heaters remain flat, fully tighten all four nuts to secure the joining bars in place.

## CHAIN HANGING - 2 × DOUBLE (TWO LAMP EMITTER) HEATERS JOINED

	<b>CAUTION</b>	
<b>Always isolate the heater from the mains supply when mounting or adjusting the heater position.</b>		

- When two Alpha H2 heaters are joined they should only be hung from a ceiling on chains - do not wall mount!
  - Always allow the heater to cool before attempting to reposition/move. Never attempt to move the heater while it is switched on!
  - Observe the minimum safe distance between the heater body and inflammable surfaces and objects when mounting.
  - Please refer to the specification table for the recommended positioning of the heater with regards to minimum distances. Do not install the heater in a corner!
  - Keep out of the reach of children.
1. When hanging from a ceiling two chains of equal length and gauge are required and should be selected with fixings that are adequate to hold the weight of the heater. If in doubt contact a professional for advice!

Continued...





2. Fix the heater assembly to the chains via the hole in the centre of the joining bar as shown in Fig. E and ensure the heaters face directly down when hanging.
3. Ensure the supply cables from the terminal boxes are routed away from the body of the heater.

## **ASSEMBLING - 3 × DOUBLE (TWO LAMP EMITTER) HEATERS JOINED**

1. Take the first heater and lie it face down on a flat surface.
2. Take the second and third heaters and position them face down and parallel to the first.
3. Push the bolts used to hold the wall brackets through the hole in the brackets on the rear heaters and slide a shake-proof washer on all the threads from the protruding side.
4. Slide the joining bars on each bolt and fit a washer and nut – do not fully tighten at this point.
5. Position the second heater so it's parallel to the first and sitting flat.
6. Take the third heater and a joining bar. Push a bolt and washer through the end hole and place a serrated washer on the other side. Push the bolt through the bracket hole on heater. Repeat on opposite side and secure with a washer and nut – do not fully tighten at this point.
7. Position the third heater so it's parallel to the second.
8. Line-up the bars of the first heater with the brackets of the second heater – they should go on the inside faces like heater one.
9. Line-up the bars of the third heater with the brackets of the second heater – these should go on the outside faces like heater three.
10. Push a bolt from the back of the joining bars through the holes putting a serrated washer on each side of the heater bracket.
11. Fit a washer and nut to both sides and providing the assembly is sitting flat, fully tighten both sides and also the nuts of the first and third heaters to the joining bars.
12. The heater is now ready for hanging.

# CHAIN HANGING - 3 × DOUBLE (TWO LAMP EMITTER) HEATERS JOINED

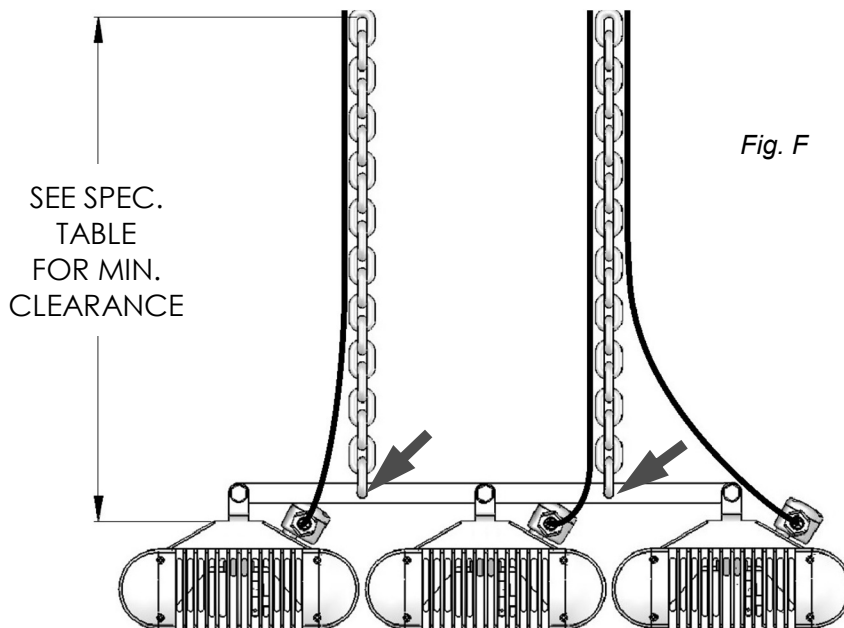


## CAUTION



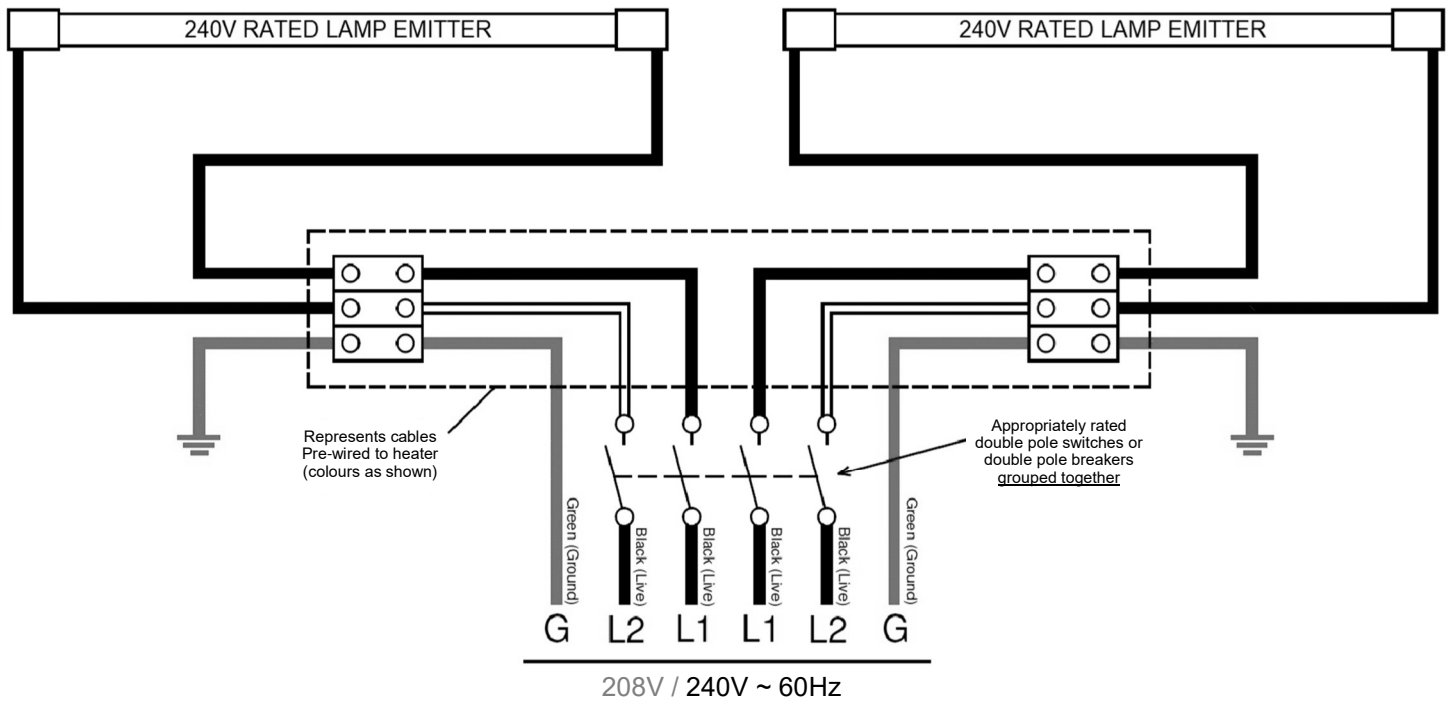
Always isolate the heater from the mains supply when mounting or adjusting the heater position.

- When three Alpha H2 heaters are joined they should only be hung from a ceiling on chains - do not wall mount!
  - Always allow the heater to cool before attempting to reposition/move. Never attempt to move the heater while it is switched on!
  - Observe the minimum safe distance between the heater body and inflammable surfaces and objects when mounting.
  - Please refer to the specification tables for the recommended positioning of the heater with regards to minimum distances. Do not install the heater in a corner!
  - Keep out of the reach of children.
1. When hanging from a ceiling four chains of equal length and gauge are required and should be selected with fixings that are adequate to hold the weight of the heater. If in doubt contact a professional for advice!
  2. Fix the heater assembly to the chains via the hole in the centre of the joining bars as shown in Fig. F. and ensure the heaters face directly down when hanging.
  3. Ensure the supply cables from the terminal boxes are routed away from the body of the heater.



# CIRCUIT DIAGRAM

Fig. G



## MAINTENANCE

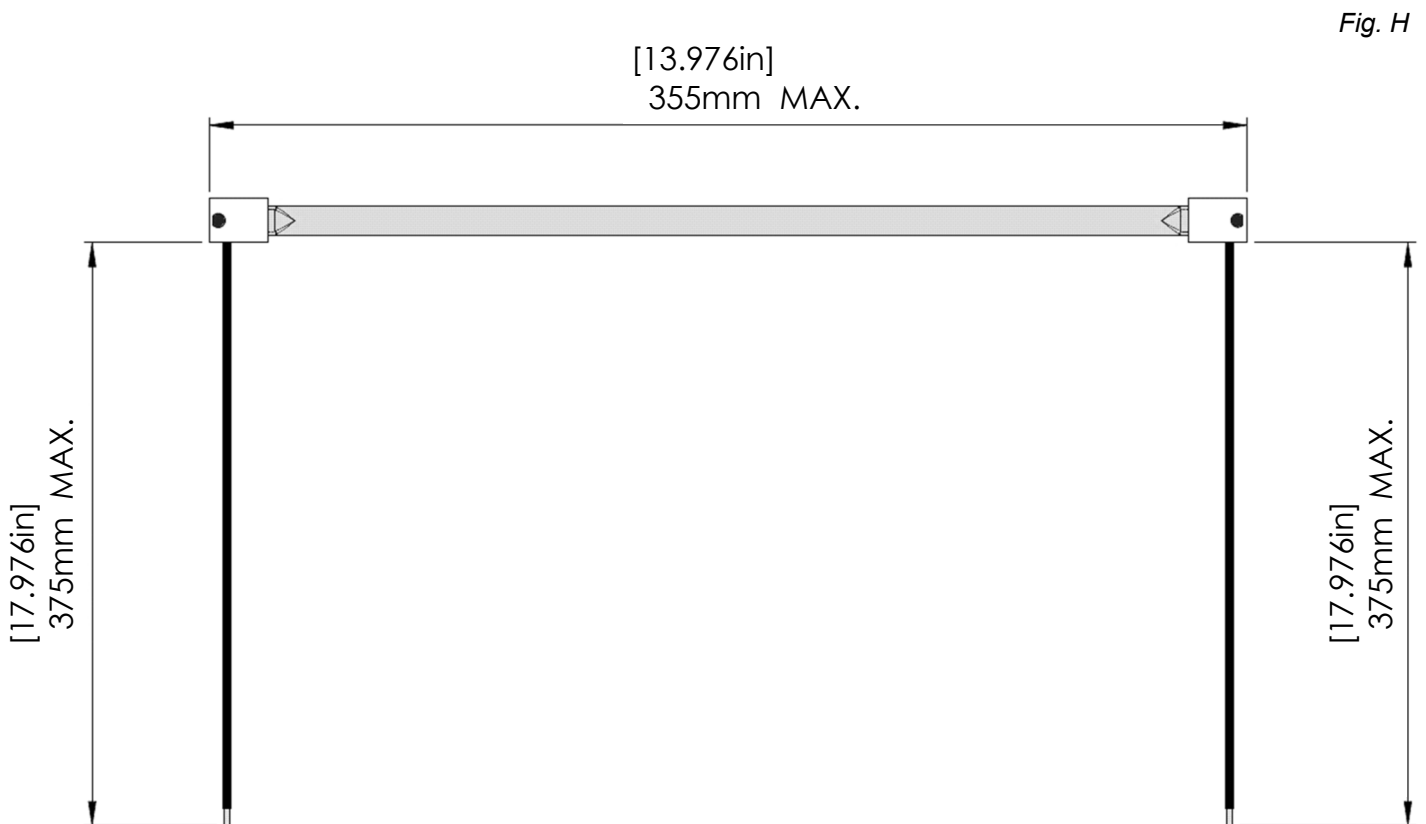
**!** **NOTE:** For replacement lamp emitters or spare parts please contact your local distributor quoting model type and rating from rating label. It is very important that your replacement lamp emitters are exactly the same as the one it was supplied with. Failure to fit the exact same type can cause the heater to prematurely fail.

**▲ CAUTION:** Always isolate the heater or heater assembly from the mains supply before replacing a lamp emitter or any maintenance procedure including cleaning.

**▲ CAUTION:** Should dust or dirt appear on the reflectors, it is recommended that the wire grilles and lamp emitters are removed and the reflectors are wiped with a lint-free cloth before reassembling (see lamp emitter replacement instructions).

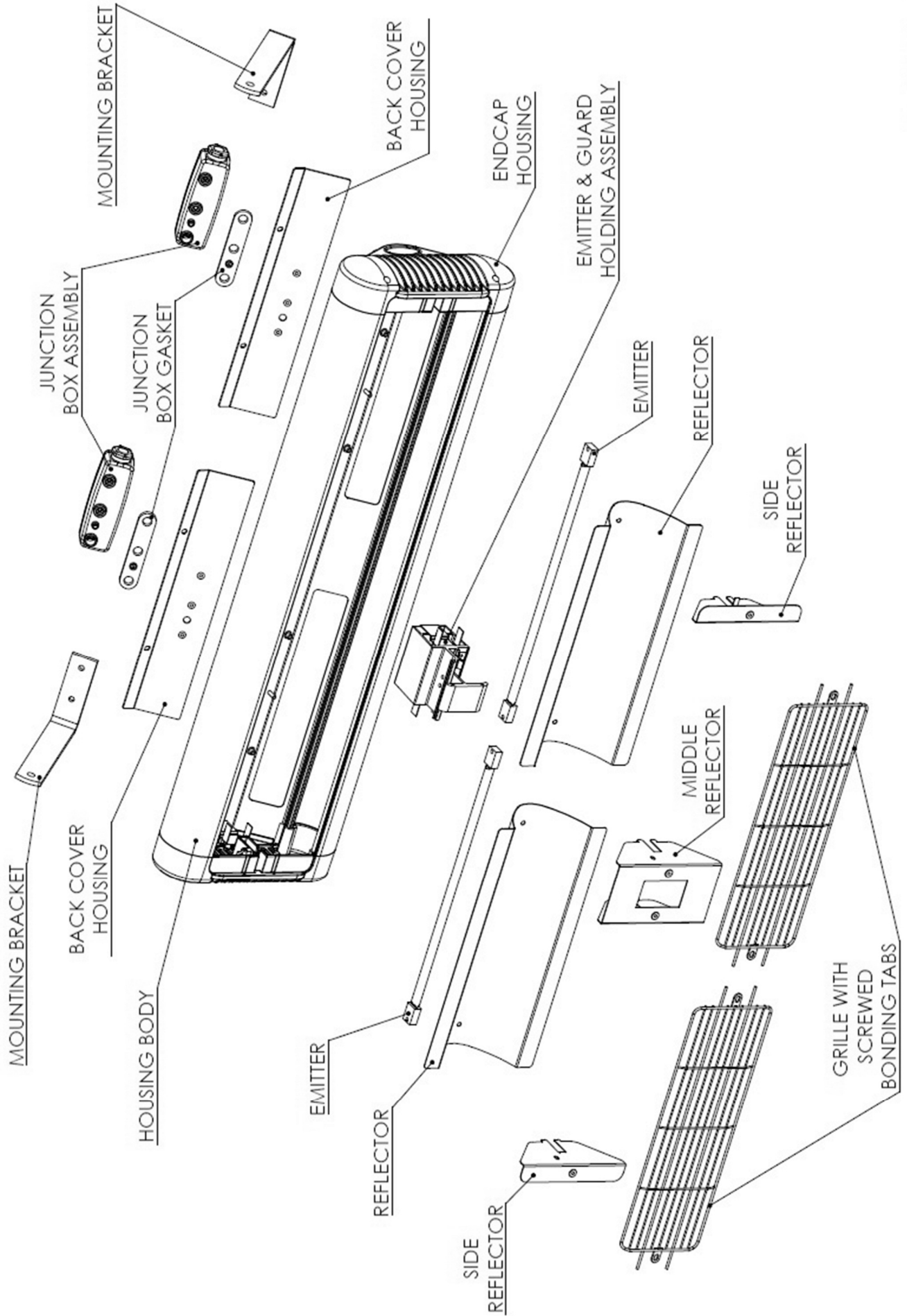
## YOUR REPLACEMENT LAMP EMITTER

**▲ CAUTION:** Please ensure that the length of wires on the replacement lamp emitter are the same as shown in the diagram below (Fig. H).



# ALPHA H2 - COMPONENT PART DIAGRAM

Fig. J



# REPLACING A LAMP EMITTER



## CAUTION



Always isolate the mains power from the heater or heater assembly before any attempts are made to replace the lamp emitter. Contact your distributor for the correct replacement lamp emitter quoting model type and rating from rating label. It is important that you read through the lamp emitter replacement procedure before commencing.

1. Ensure the heater and lamp emitters are cool and the power supply is disconnected to all lamp emitters before disassembling.
2. Remove the screws from the terminal box at the back of the lamp emitter to be replaced and lift off the lid - see Fig. K.



Fig. K

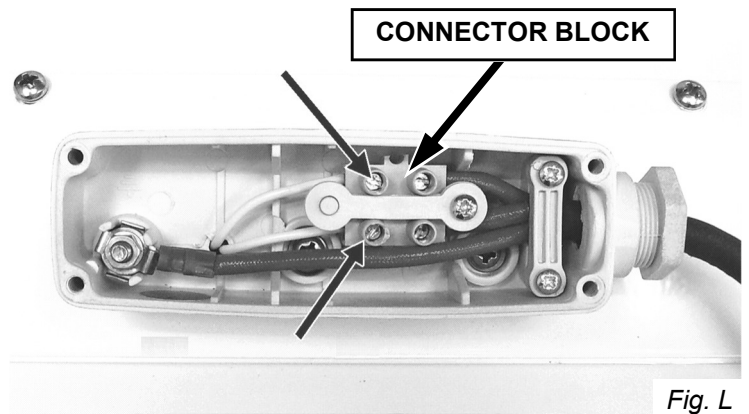


Fig. L

3. Disconnect the lamp emitter from the connector block by unscrewing the screws highlighted above in Fig. L and remove the lamp emitter wires from the connector block.
4. At the back of the heater, remove the plate holding the junction box behind your lamp emitter by removing the two fixing screws as shown in Fig. M.

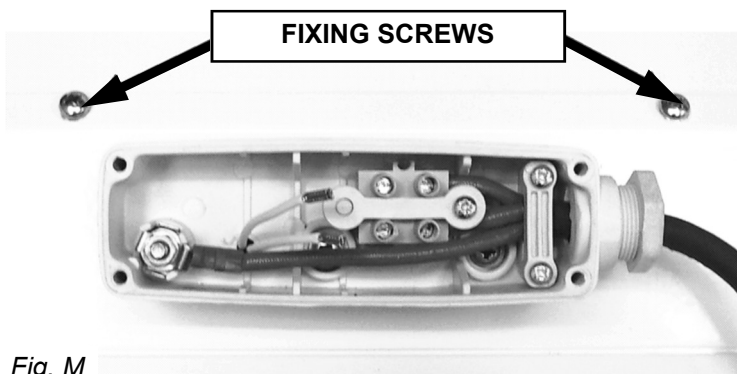


Fig. M



Fig. N

5. Pull the lamp emitter wires one at a time through the gasket on the terminal plate to remove as shown in Fig. N.

Continued...

6. At the front of the heater, remove the screws from the grille tabs at both sides of the grille as shown in Fig. O (taking care to retain the spring washers) then remove the grille by pulling it out from the centre and prizing the prongs away from their locating holes at one end (Fig. P) and pull out of opposite end.



Fig. O



Fig. P

7. Remove the screws from the middle reflector on both sides (Fig. Q) and the single screw from the side reflector (Fig. R). Lift them up and away from the heater to reveal the ceramic caps on the lamp emitters.



Fig. Q

POINTED  
SCREW



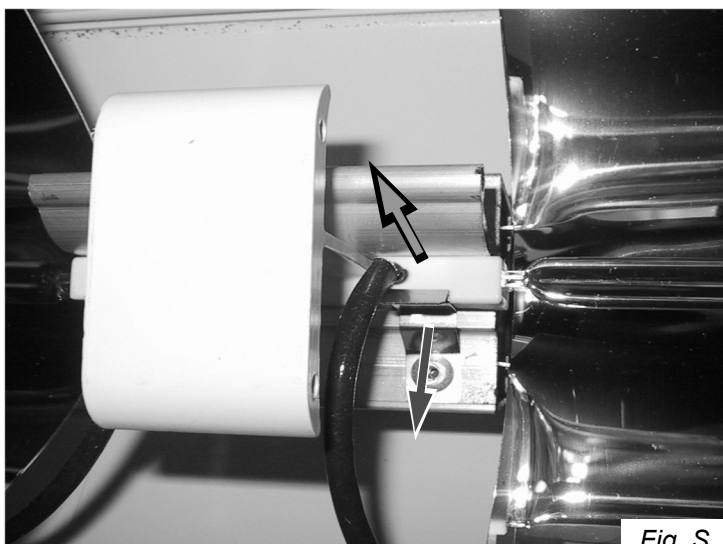
Fig. R

BLUNT  
SCREW

Continued...

**8.** Release the lamp emitter end by pressing the top edge of the spring clip away from the lamp emitters ceramic end cap. Gently lift the end of the lamp emitter upwards so it is no longer being retained by the clip (Fig. S). The wire can then be gently pulled from behind the reflector.

**9.** The lamp emitter wire at the opposite end should be pulled out of the side slot (Fig. T) and the lamp emitter can be lifted up completely. The wire can then be gently pulled forward so that it also comes out from behind the reflector.



**10.** The lamp emitter can now be removed away from the heater leaving it ready for the new lamp emitter to be fitted as shown in Fig. U.



*Continued...*



**11.** Refit the new lamp emitter in reverse order making sure that no wires can get trapped. Replace the side reflectors and their screws before any other parts are fitted to make sure the lamp emitter is held securely.

**12.** Refit the grilles by taking a grille and inserting the 2 × prongs into the holes in the end of the heater (left side shown below in Fig. V) and gently flex the wire grille to insert the 2 × opposite prongs into the grille holder holes (to the other side of the lamp emitter as shown in Fig. W).

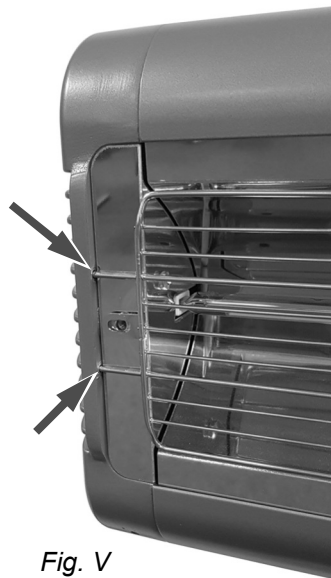


Fig. V

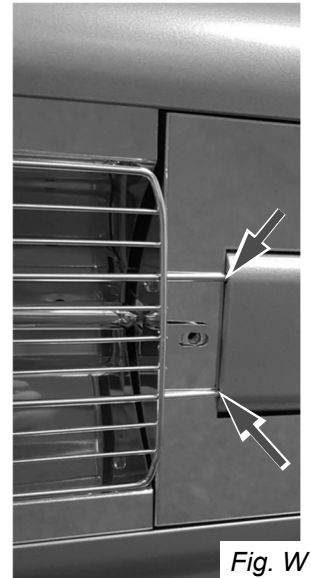


Fig. W

**13.** Refit the screws into the tabs on the grilles ensuring there is a spring washer under all of the screw heads (Fig. X).

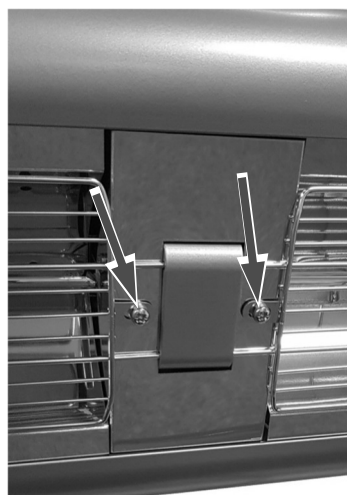


Fig. X

**14.** Check the fitment of the grilles by individually gripping them and moving them to their extreme left and right positions/pushing up and down to ensure they are all securely located (Fig. Y).

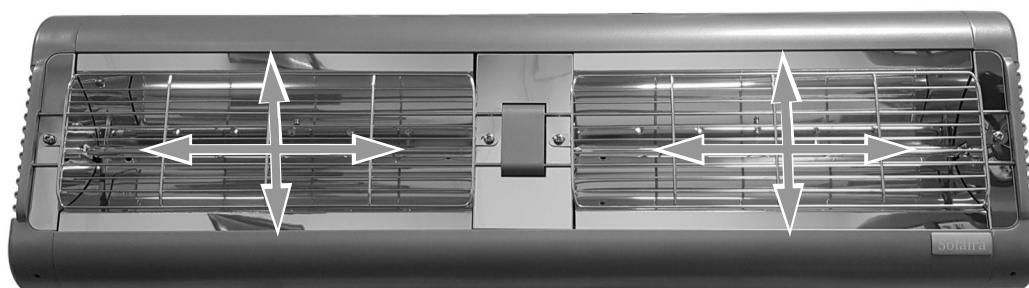


Fig. Y





# Solaira Alpha H2

## CANADA & USA MODELS:

SALPHAH2-20240-C	(208V - 1500 / 240V - 2000W)	
SALPHAH2-20240LL-C	(208V - 1500 / 240V - 2000W)	CANDEL LOW LIGHT
SALPHAH2-30240-C	(208V - 2250 / 240V - 3000W)	
SALPHAH2-30240LL-C	(208V - 2250 / 240V - 3000W)	CANDEL LOW LIGHT
SALPHAH2-40240-C	(208V - 3000 / 240V - 4000W)	
SALPHAH2-40240LL-C	(208V - 3000 / 240V - 4000W)	CANDEL LOW LIGHT

C = COLOR CODE



*Also available in this range...*

## Solaira Alpha H1



## Solaira Alpha H3



**IMPORTANT - SAVE THESE  
INSTRUCTIONS FOR FUTURE REFERENCE**



---

## INFORESIGHT CONSUMER PRODUCTS INC.

125 Traders Blvd. E Unit # 4, Mississauga, Ontario L4Z 2H3

Tel: 905-568-7655 - Fax: 905-568-7521 - Email: [info@solairaheaters.com](mailto:info@solairaheaters.com) - Website: [www.solairaheaters.com](http://www.solairaheaters.com)

Due to our policy of ongoing improvement, we reserve the right to make changes without notice.

© 2021 INFORESIGHT CONSUMER PRODUCTS INC.

Ref No. 043572-S-EN Issue No. Ob