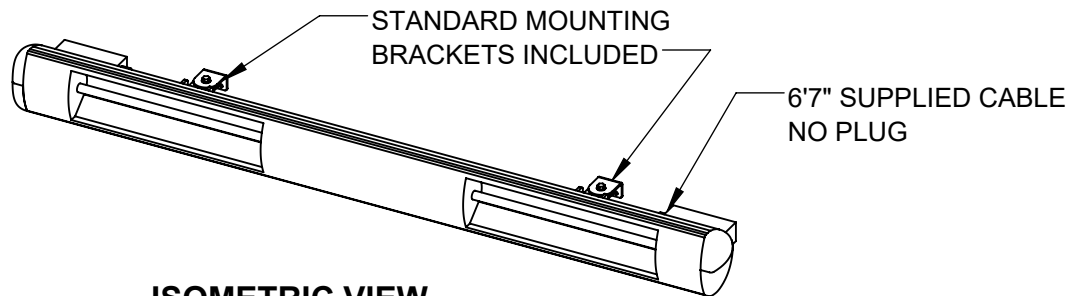
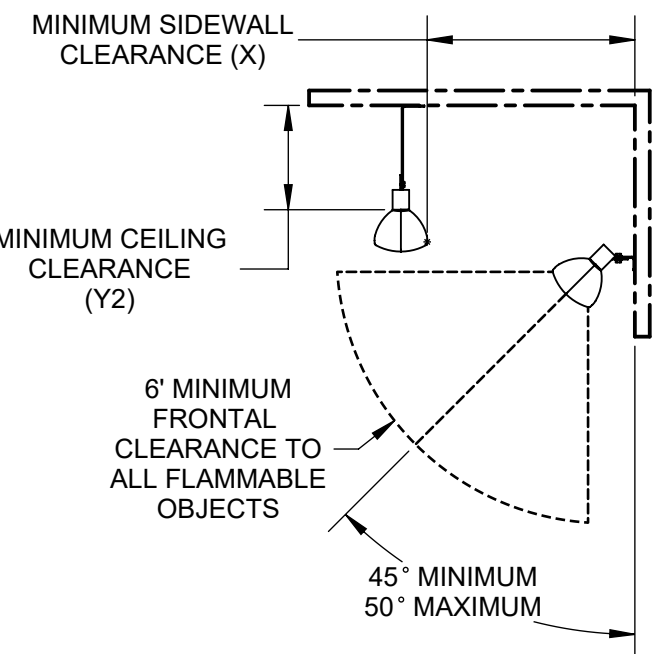
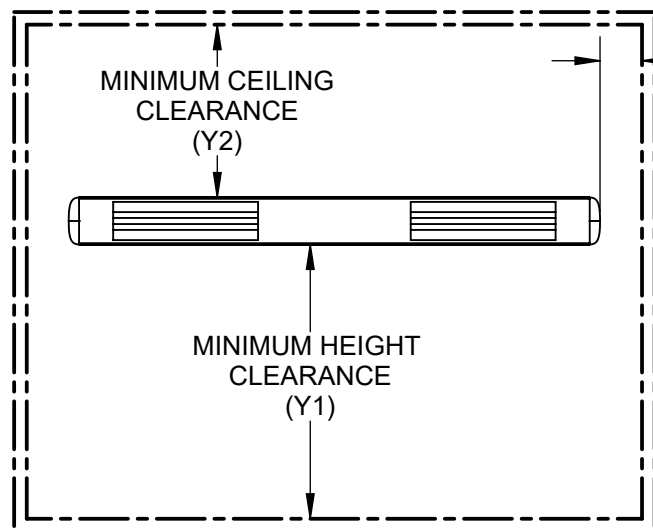


HEATER CLEARANCE REQUIREMENTS

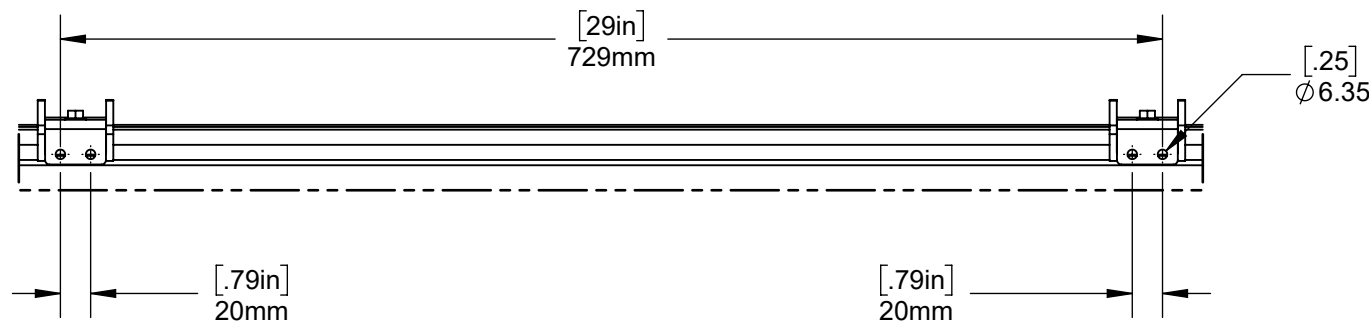
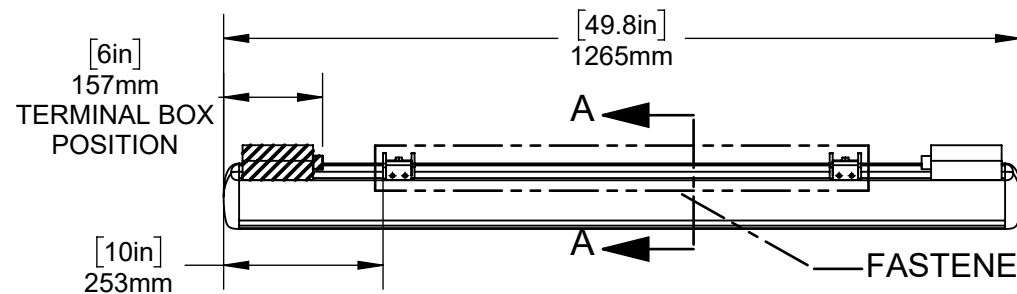
SEE 'HEATER SPECIFICATIONS' TABLE



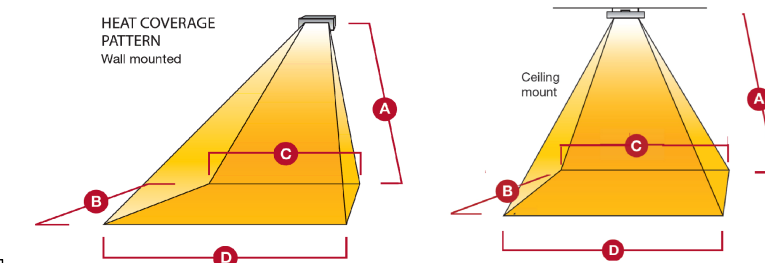
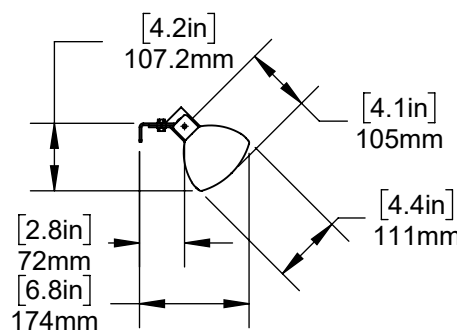
ISOMETRIC VIEW

STAINLESS STEEL OPTION AVAILABLE
SAME OVERALL DIMENSIONS

OVERALL SIZE AND MOUNTING DIMENSIONS



SECTION A-A



MODEL	A (FEET)	B (FEET)	C (FEET)	D (FEET)	HEAT ZONE* (SQUARE FEET)	HEAT DENSITY* (WATTS/SQUARE FEET)
SCOSYXLH2-30240-L1	9	10	10	12	120	25
SCOSYXLH2-40240-I1	9	10	10	12	120	33

HEAT DENSITY IS REDUCED BY 25% WHEN DE-RATED TO 208V
HEAT DENSITY AND DISTRIBUTION REMAINS UNCHANGED AT 277V
WITH SAME WATTAGE OUTPUT

SHORTWAVE INFRARED HEATERS FOR:
INDOOR USE - COMMERCIAL AND INDUSTRIAL ONLY
OUTDOOR USE - RESIDENTIAL, COMMERCIAL AND INDUSTRIAL
FOR USE IN NON-HAZARDOUS AREAS ONLY

**HEATER SPECIFICATIONS

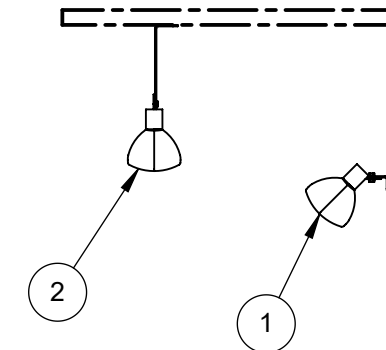
DESCRIPTION	SKU	WEIGHT (LBS/KG)	240V						208V							
			POWER (WATTS)	HEAT DELIVERED (BTU)	VOLTAGE (VOLTS)	CURRENT (AMPS)	MINIMUM HEIGHT (INCH/cm) (Y1)	CEILING CLEARANCE (INCH/cm) (Y2)	SIDE WALL CLEARANCE (INCH/cm) (X)	POWER (WATTS)	HEAT DELIVERED (BTU)	VOLTAGE (VOLTS)	CURRENT (AMPS)	MINIMUM HEIGHT (INCH/cm) (Y1)	CEILING CLEARANCE (INCH/cm) (Y2)	SIDE WALL CLEARANCE (INCH/cm) (X)
COSY XL H2 CANDEL - 3000W / 240V	SCOSYXLH2-30240L1*	13.2/6	3000	10200	240	12.5	94.5/240	8.75/22	17/43	2250	7650	208	10.8	94.5/240	8.75/22	17/43
COSY XL H2 CANDEL - 4000W / 240V	SCOSYXLH2-40240L1*	13.2/6	4000	13600	240	16.7	94.5/240	8.75/22	25/64	3000	10200	208	14.4	94.5/240	8.75/22	17/43
COSY XL H2 L - 4000W / 277V	SCOSYXLH2-40277*	13.2/6	277V						N/A							
			4000	13600	277	14.4	94.5/240	8.75/22	25/64							

NOTES: *SEE PRODUCT CATALOG FOR STANDARD COLOR OPTIONS. STAINLESS STEEL OPTIONS AVAILABLE. L1 DENOTES CANDEL LOW LIGHT LAMP. ALL HEATERS COME WITH STANDARD 3" L BRACKETS | ** SPECIFICATIONS SUBJECT TO CHANGE WITHOUT NOTICE

NOTICE: THIS DOCUMENT IS NOT A SUBSTITUTE FOR APPROVED MANUAL. Failure to follow instruction manual may cause fire, electric shock or injury to persons. Solaira™ is a registered trademark of Inforesight Consumer Products. Customer, contractor specifier and installer understands that some or all products provided by Inforesight Consumer Products Inc. may not be available for purchase or installation in certain jurisdictions or geographical areas. Inforesight Consumer Products Inc. reserves the right, in its sole discretion, to exclude or otherwise limit the provision of any product to a person or entity residing in any jurisdiction or geographical area outside of Canada. Inforesight Consumer Products Inc. provides general product installation guidelines and procedures and Customer, contractor, specifier and installer understands that Customer, contractor, specifier and installer is solely and exclusively responsible for installation of the product and ascertaining all applicable local municipal, provincial, state, and federal NEC (National Electrical Code) rules, by-law, ordinances and guidelines applicable to the installation of any Inforesight Consumer Products Inc. products. Customer contractor, specifier and installer must strictly adhere to and be compliant with the local rules, laws, ordinances and legal requirements for the safe installation and use of any Inforesight Consumer Products Inc. products. Instruction manuals are included with the product packaging and copies of our instruction manuals are available upon request. Under no circumstances shall Inforesight Consumer Products Inc. or its affiliated entities, employees, agents, shareholders, officers or directors be liable to Customer or any third party for any product installations and Customer, contractor, specifier and installer releases Inforesight Consumer Products Inc. from any and all losses, death, personal injury, property damage, other damages, rights, claims, demands and actions of any kind arising from the Customer's installation and use of the product, whether the installation was or was not in accord with the provided instruction manual and/or in compliance with applicable local laws. Solaira products are to be installed by licensed technicians per instruction manuals and to all provincial/state and national (N.E.C.) code requirements; specifications subject to change without notice.

SUITABLE MOUNTING CONFIGURATIONS

1. WALL MOUNTED
2. CEILING SUSPENDED



B4 2023-02-27

REVISION DATE: YYYY-MM-DD



Certified to UL2021 and CSA 22.2 46-13

Solaira
The Architect and Engineers Choice

MODEL
SOLAIRA XL H2

SHEET NO.
1 OF 1

SHEET SCALE
1:12

SHEET SIZE
11X17