

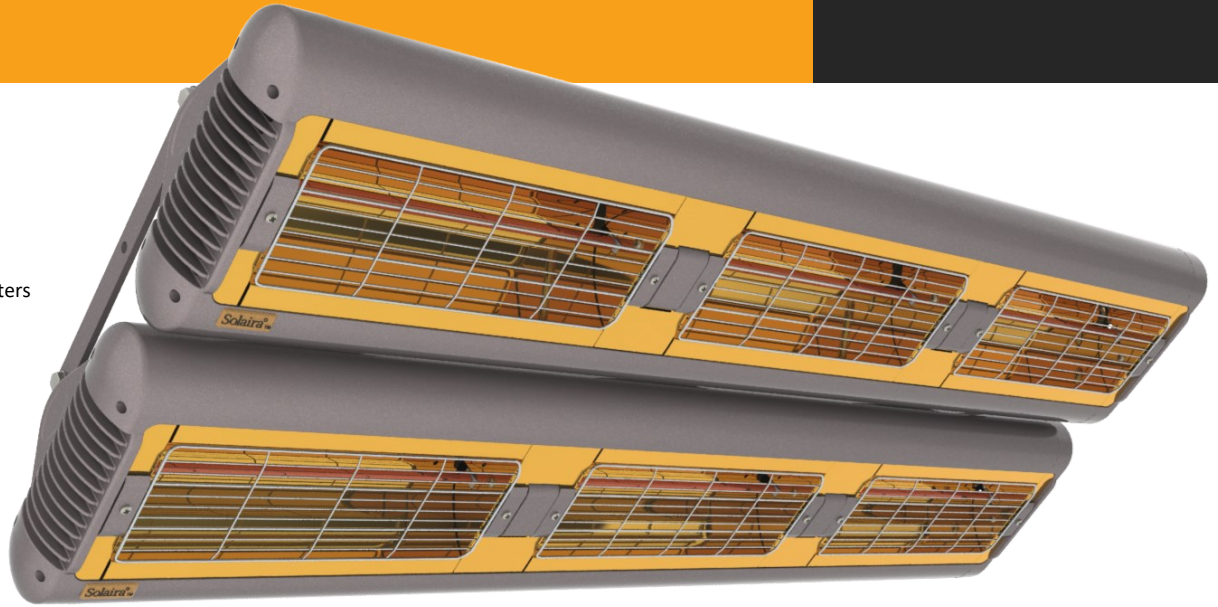
# Solaira<sup>o</sup>

# INDUSTRIAL SERIES

The Solaira<sup>o</sup>™ Industrial series takes radiant heating power to a new level. Utilizing several Alpha heaters in array formats allows combinations of heaters with up to 12,000 watts of instant, precisely controllable heat. Designed for high mounting heights and high watt density requirements, Alpha heaters are not affected by wind and warm people and objects—not the air between. Take advantage of high power radiant heat to reduce heating costs in large warehouses, aircraft hangers or sports stadiums.



CERTIFIED TO  
UL 2021—Electric Air Heaters  
CSA 22.2 No.46-13—Electric Air Heaters



## KEY FEATURES

- Up to 12,000W / 41,000
- BTU Ultra Low Light Infrared emitters and gold polished radiant reflectors
- IP55 Weather protection for fully exposed environments
- Full heating power delivered within seconds
- Fully adjustable mounting brackets included
- Control systems for all applications—from simple stand-alone wall control to full BMS smart home integration with 0-10v input capability
- Reduce heating costs vs traditional warm air systems in large, difficult to heat spaces by pairing instant infrared technology with adjustable controls systems. Deliver heat only when required



INDUSTRIAL



COMMERCIAL

DRIVEN BY ENGINEERING, DESIGN AND PERFORMANCE.

LEARN MORE AT [WWW.SOLAIRAHEATERS.COM](http://WWW.SOLAIRAHEATERS.COM)



# Solaira<sup>o</sup>

The Architect and Engineers Choice

# INDUSTRIAL SERIES

## TECHNICAL DATA

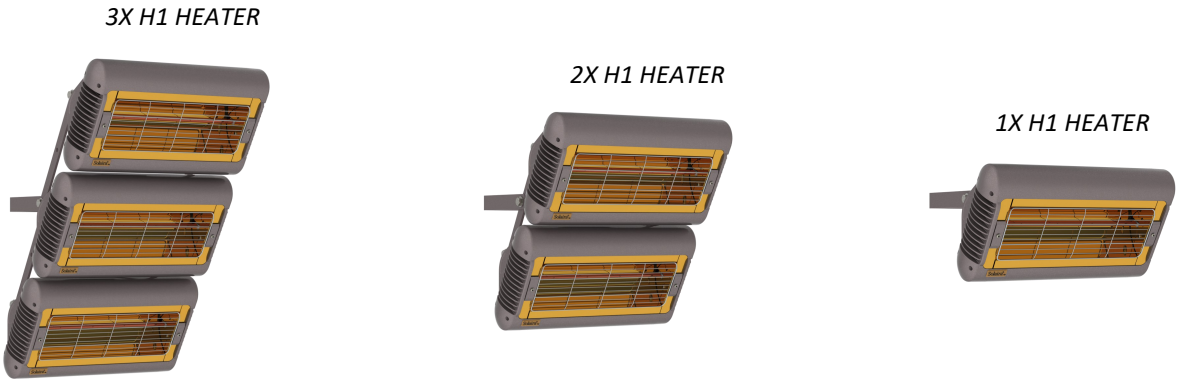
WATTS	BTU's	VOLTS	PHASES	CONFIG.	MODEL NO.	LAMPS	TOTAL AMPS	Specifier BOM
1125	3836	208	1	1X H1	SALPHA15240L1G	1	5.4	SALPHA15240L1G
1500	5115	120	1	1X H1	SALPHA15120G	1	12.5	SALPHA15120G
		208	1	1X H1	SALPHA20240L1G	1	7.2	SALPHA20240L1G
		240	1	1X H1	SALPHA15240L1G	1	6.3	SALPHA15240L1G
		240	1	1X H1	SALPHA20240L1G	1	8.3	SALPHA20240L1G
2000	6820	277	1	1X H1	SALPHA20277G	1	7.2	SALPHA20277G
		208	1	1X H2	SALPHA2-30240L1 [G   B]	2	10.8	SALPHA2-30240L1 [G   B]
2250	7673	208	1	2X H1	SALPHA15240L1G	2	10.8	SALPHA15240L1G (QTY 2), SALPHABRKTMM (QTY 1)
		120	1	2X H1	SALPHA15120G	2	25.0	SALPHA15120L1G (QTY 2), SALPHABRKTMM (QTY 1)
3000	10230	208	1	1X H2	SALPHA2-40240L1G	2	14.4	SALPHA2-40240L1G
		208	1	2X H1	SALPHA20240L1G	2	14.4	SALPHA20240L1G (QTY 2), SALPHABRKTMM (QTY 1)
		240	1	1X H2	SALPHA2-30240L1 [G   B]	2	12.5	SALPHA2-30240L1 [G   B]
		240	1	2X H1	SALPHA15240L1G	2	12.5	SALPHA15240L1G (QTY 2), SALPHABRKTMM (QTY 1)
3375	11509	208	1 OR 3	1X H3	SALPHA3-45240L1 [G   B]	3	16.2	SALPHA3-45240L1 [G   B]
		208	1 OR 3	3X H1	SALPHA15240L1G	3	16.2	SALPHA15240L1G (QTY 3), SALPHABRKTMM (QTY 2)
4000	13640	240	1	1X H2	SALPHA2-40240L1G	2	16.7	SALPHA2-40240L1G
		240	1	2X H1	SALPHA20240L1G	2	16.7	SALPHA20240L1G (QTY 2), SALPHABRKTMM (QTY 1)
		277	1	1X H2	SALPHA2-40277G	2	14.4	SALPHA2-40277G
		277	1	2X H1	SALPHA20277G	2	14.4	SALPHA20277G (QTY 2), SALPHABRKTMM (QTY 1)
4500	15345	120	1 OR 3	3X H1	SALPHA15120G	3	37.5	SALPHA15120L1G (QTY 3), SALPHABRKTMM (QTY 2)
		208	1 OR 3	1X H3	SALPHA3-60240L1 [G   B]	3	21.6	SALPHA3-60240L1G [G   B]
		208	1	2X H2	SALPHA2-30240L1 [G   B]	4	21.6	SALPHA2-30240L1 [G / B] (QTY 2), SALPHABRKTMM(QTY 1)
		208	1 OR 3	3X H1	SALPHA20240L1G	3	21.6	SALPHA20240L1G (QTY 3), SALPHA BRKTMM (QTY)
		240	1	1X H3	SALPHA3-45240L1 [G   B]	3	18.8	SALPHA3-45240L1 [G   B]
		240	1	3X H1	SALPHA15240L1G	3	18.8	SALPHA15240L1G (QTY 3), SALPHABRKTMM (QTY 1)
6000	20460	208	1	2X H2	SALPHA2-40240L1G	4	28.8	SALPHA2-40240L1G (QTY 2), SALPHABRKTMM (QTY 1)
		240	1	1X H3	SALPHA3-60240L1 [G   B]	3	25.0	SALPHA3-60240L1 [G   B]
		240	1	2X H2	SALPHA2-30240L1 [G   B]	4	25.0	SALPHA2-30240L1 [G   B] (QTY 2), SALPHABRKTMM (QTY 1)
		240	1	3X H1	SALPHA20240L1G	3	25.0	SALPHA20240L1G (QTY 3), SALPHABRKTMM (QTY 2)
		277	1 OR 3	1X H3	SALPHA3-60277G	3	21.7	SALPHA3-60277G
6750	23018	208	1 OR 3	2X H3	SALPHA3-45240L1 [G   B]	6	32.5	SALPHA3-45240L1 [G   B] (QTY 2), SALPHABRKTMM (QTY 1)
		208	1 OR 3	3X H2	SALPHA2-30240L1 [G   B]	6	32.5	SALPHA2-30240L1 [G   B] (QTY 3), SALPHABRKTMM (QTY 2)
8000	27280	240	1	2X H2	SALPHA2-40240L1G	4	33.3	SALPHA2-40240L1G (QTY 2), SALPHABRKTMM (QTY 1)
		277	1	2X H2	SALPHA2-40277G	4	28.9	SALPHA2-40277G (QTY 2), SALPHABRKTMM (QTY 1)
9000	30690	208	1 OR 3	2X H3	SALPHA3-60240L1 [G   B]	6	43.3	SALPHA3-60240L1 [G   B] (QTY 2), SALPHABRKTMM (QTY 1)
		208	1 OR 3	3X H2	SALPHA2-40240L1G	6	43.3	SALPHA2-40240L1G (QTY 3), SALPHABRKTMM (QTY 2)
		240	1	2X H3	SALPHA3-45240L1 [G   B]	6	37.5	SALPHA3-45240L1 [G   B] (QTY 2), SALPHABRKTMM (QTY 1)
		240	1	3X H2	SALPHA2-30240L1 [G   B]	6	37.5	SALPHA2-30240L1 [G   B] (QTY 3), SALPHABRKTMM (QTY 2)
12000	40920	240	1	2X H3	SALPHA3-60240L1 [G   B]	6	50.0	SALPHA3-60240L1 [G   B] (QTY 2), SALPHABRKTMM (QTY 1)
		240	1	3X H2	SALPHA2-40240L1G	6	50.0	SALPHA2-40240L1G (QTY 3), SALPHABRKTMM (QTY 2)
		277	1 OR 3	2X H3	SALPHA3-60277G	6	43.3	SALPHA3-60277G (QTY 2), SALPHABRKTMM (QTY 1)
		277	1 OR 3	3X H2	SALPHA2-40277G	6	43.3	SALPHA2-40277G (QTY 3), SALPHABRKTMM (QTY 2)



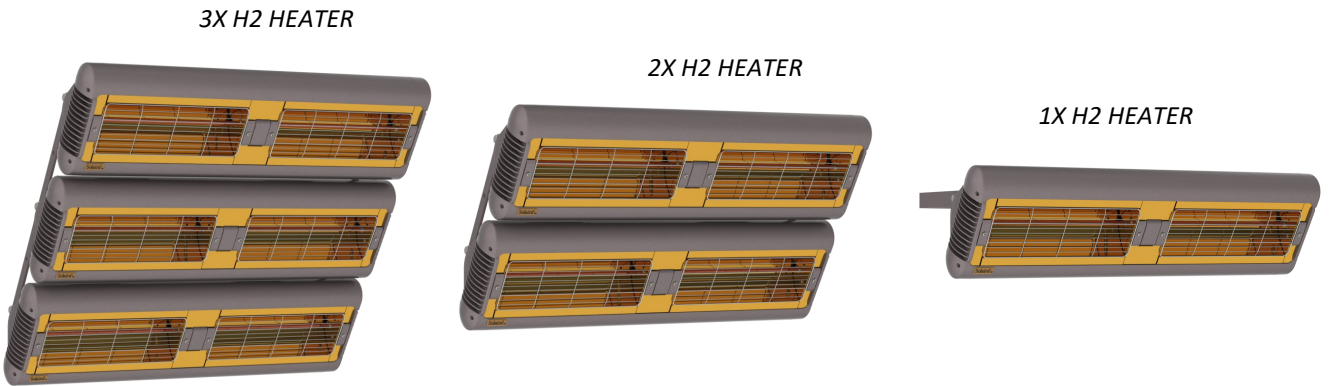
# INDUSTRIAL SERIES

## HEATER CONFIGURATIONS

**H1 HEATER**  
Single Emitter



**H2 HEATER**  
Double Emitter



**H3 HEATER**  
Triple Emitter



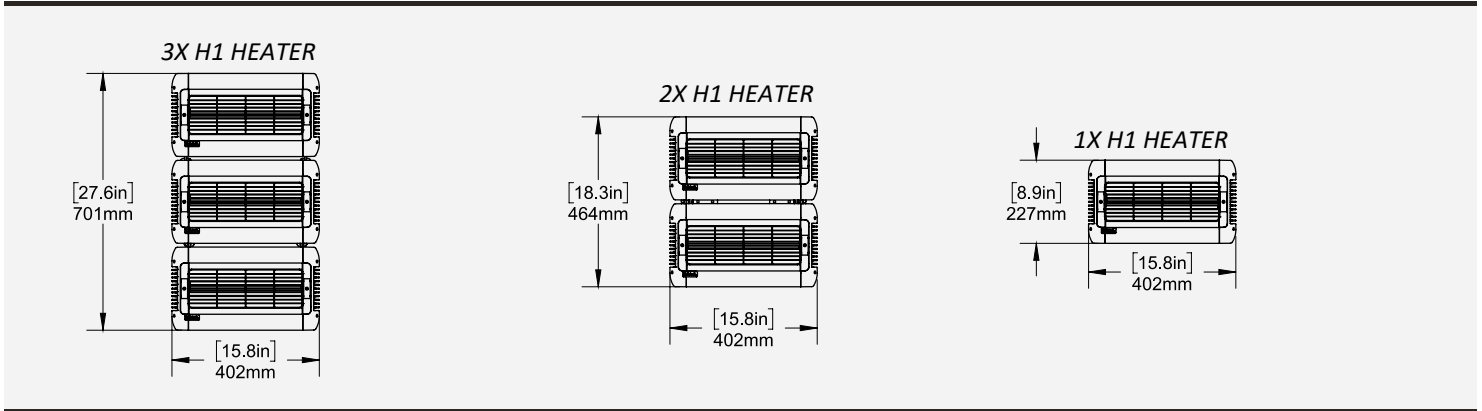
## HEATER CONSTRUCTION

HEATER BODY	EMITTER	REFLECTOR	EMITTER GUARD	INGRESS PROTECTION	POWER SUPPLY
Aircraft Grade extruded aluminum	Solaira® Candel ultra low light emitter	Gold Anodized mirror polished aluminum	Nickel dipped Carbon Steel wire cage	IP-55 resistance for low pressure water jets	6'7 (2.0m) high temperature silicone leads

# HEATER DIMENSIONS

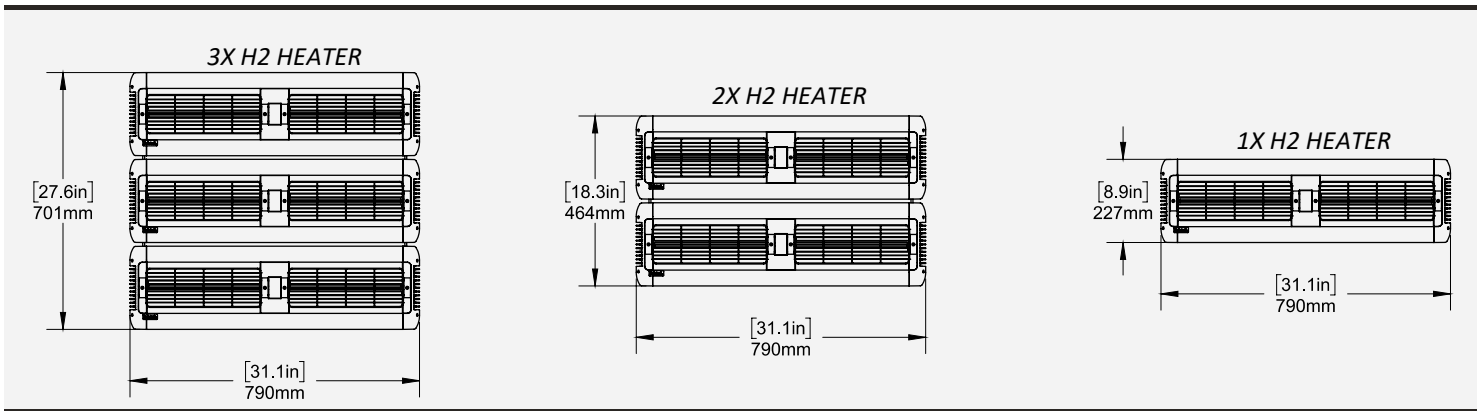
## H1 HEATER

Single Emitter



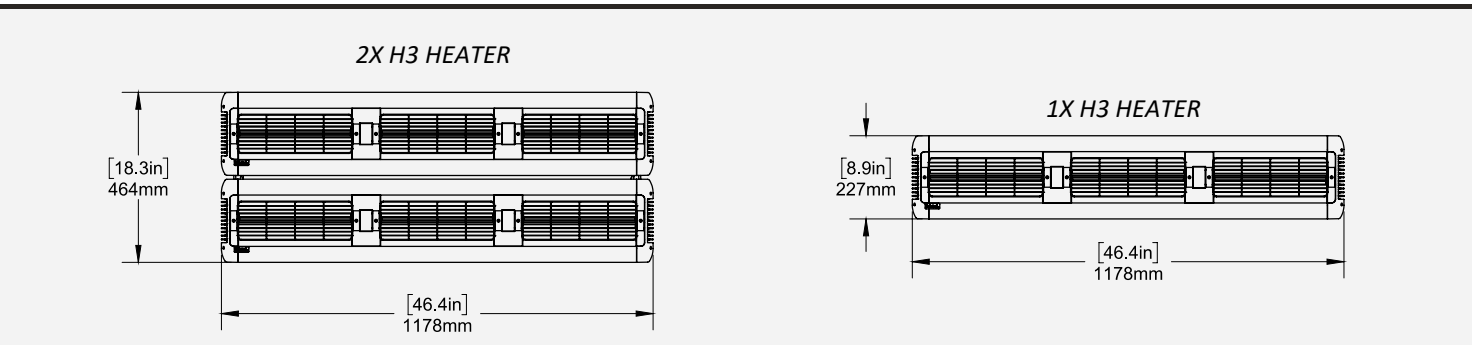
## H2 HEATER

Double Emitter



## H3 HEATER

Triple Emitter



**DRIVEN BY ENGINEERING, DESIGN AND PERFORMANCE.**

SOLAIRA<sup>®</sup>™ is a registered trademark of Inforesight Consumer Products Inc.

Mississauga, Ontario, Canada

Ph: 905-568-7655

Email: [info@solairaheaters.com](mailto:info@solairaheaters.com)

web: [www.solairaheaters.com](http://www.solairaheaters.com)

# INDUSTRIAL SERIES

## CONTROLS

### ON / OFF CONTROL

**SMART Timer Controller**  
 SMRTTIM40—16.6A  
 SMRTTIM60—25A



**SMART Occupancy Controller**  
 SMRTOCC40—16.6 A  
 SMRTOCC60—25 A



### VARIABLE OUTPUT CONTROL

#### SMART Series Controller

SMART16-DV—16.6A  
 SMART34-DV—34A



#### FEATURES

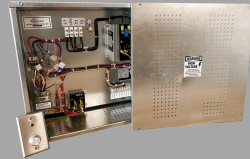
- Variable output
- Dual Voltage
- IP 65 ingress protection
- Onboard temperature monitor (SMaRT 34 only)
- cETL SPE 1000 Canada Inspected

#### SMaRT Accessories

Part Number	Description
SM-WSD	Wall Switch
SMRTVRMT	Handheld IR Remote Control
SMRTVTEM-R	Remote Temperature Monitor
SMRTVOCC	Occupancy sensor

#### OMNIS Series Controller

PASCR30-1-DIN—30A  
 PASCR90-1-DIN—90A  
 PASCR165-1-DIN—165A



#### FEATURES

- Single Zone, Single phase, sized by Amperage
- BMS, BACnet Ready 0-10DCv/4-20mA Input
- Lutron, Crestron, Control 4 ready
- Included Potentiometer for 100% controllability
- Breaker sub-panel by others as required
- UL 508 / CSA 22.2-286 Approved

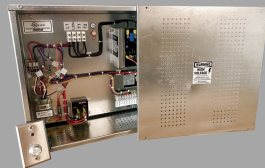
#### OMNIS Accessories

Part number	Description
PSST-MAXTIM	Multi-Functional Input Timer
PSW-2BW	2 button Decora switch*
PSW-OS	Occupancy Sensor*
PSW-THERMV3	Adjustable Thermostat

\*requires PSST-MAXTIM

#### OMNIS Custom Controller

Unlimited—CONTACT SALES REP



#### FEATURES

- Single zone or multi zone
- Single phase or 3 phase systems
- Individually fused inputs and outputs
- BMS, BACnet Ready 0-10DCv/4-20mA Input
- Lutron, Crestron, Control 4 ready
- Custom load management, input and outputs
- UL 508 / CSA 22.2-286 Approved

#### OMNIS Accessories

Part number	Description
PSST-MAXTIM	Multi-Functional Input Timer
PSW-2BW	2 button Decora switch*
PSW-OS	Occupancy Sensor*
PSW-THERMV3	Adjustable Thermostat

\*requires PSST-MAXTIM

## ACCESSORIES

\* REPRESENTS HEATER COLOR  
 [G = ANTIQUE GREY]  
 [B = SEMIGLOSS BLACK]



ALPHA 12" CEILING BRACKET  
 SALPHABRCT12\* [G / B]



ALPHA EXTENSION BRACKETS  
 SALPHABRCTEXT24\* [G / B]



CENTER MOUNT BRACKET  
 SALPMH2\* [G / B]



SOLAIRA ARCHITECTURAL POST  
 SP100-\* [G / B]  
 SP80-\* [G / B]  
 \*REQUIRES CENTER MOUNT BRACKET  
 \*MINIMUM ORDER QTY APPLIES

## CERTIFICATION



CERTIFIED TO  
 UL 2021—Electric Air Heaters  
 CSA 22.2 No.46-13—Electric Air Heaters

## WARRANTY

**FIXTURE:** 3 years - workmanship and materials

**EMITTER BULB:** 1 year—workmanship and materials

DUE TO OUR POLICY OF ONGOING IMPROVEMENT, WE RESERVE THE RIGHT TO MAKE CHANGES TO SPECIFICATIONS WITHOUT NOTICE.