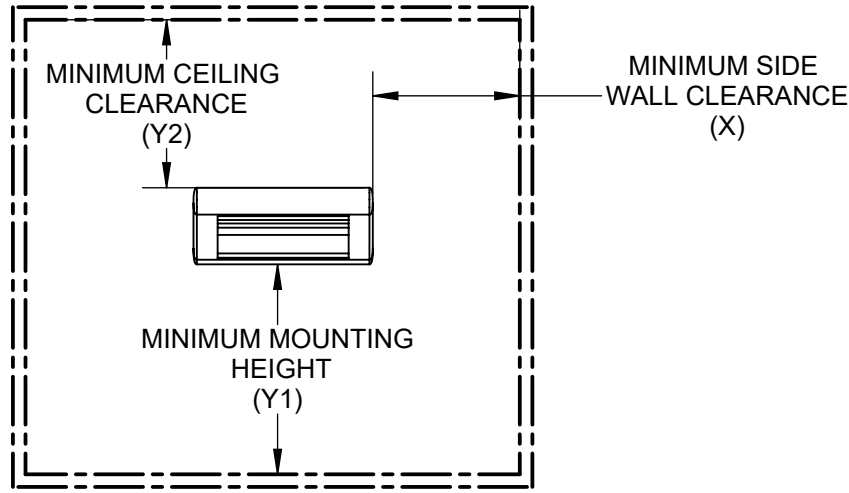
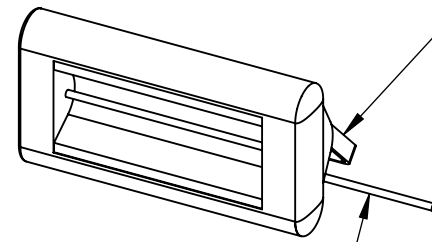


HEATER CLEARANCE REQUIREMENTS

SEE 'HEATER SPECIFICATIONS' TABLE



ISOMETRIC VIEW

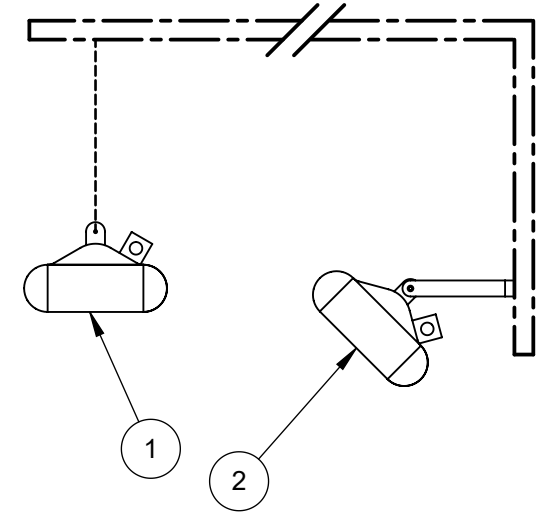


STANDARD MOUNTING BRACKETS INCLUDED

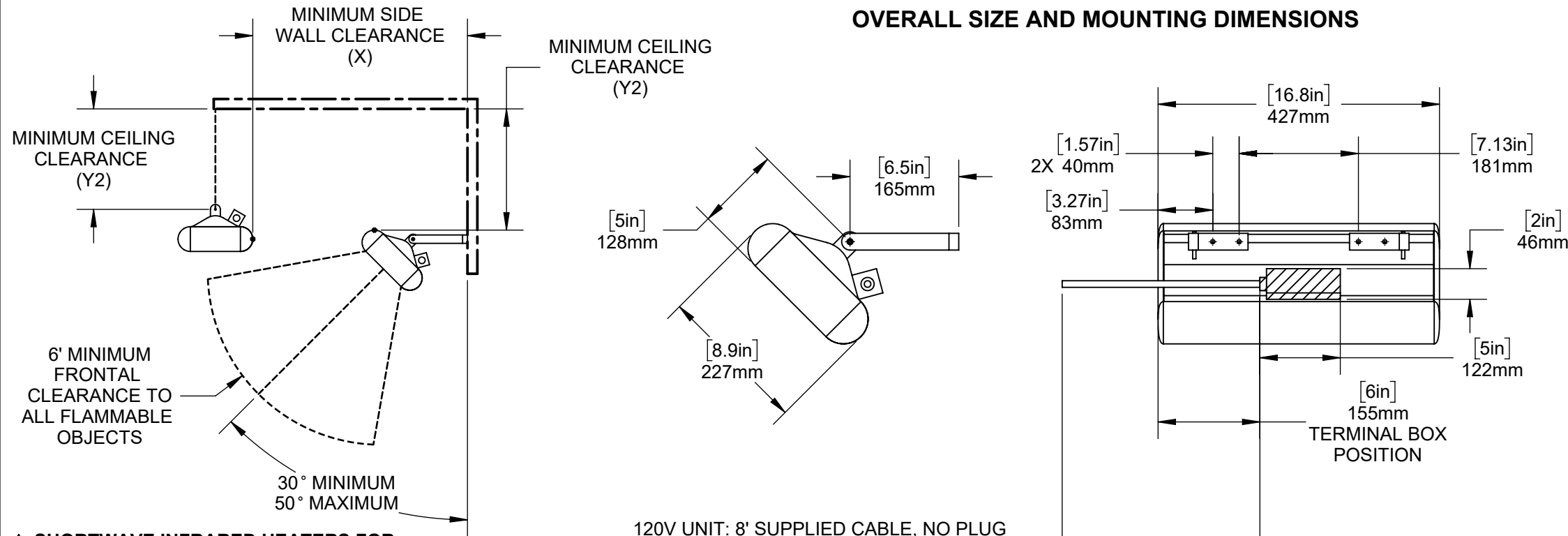
6'7" SUPPLIED CABLE: 240 / 277V UNITS
8' SUPPLIED CABLE: 120V UNIT, NO PLUG

SUITABLE MOUNTING CONFIGURATIONS

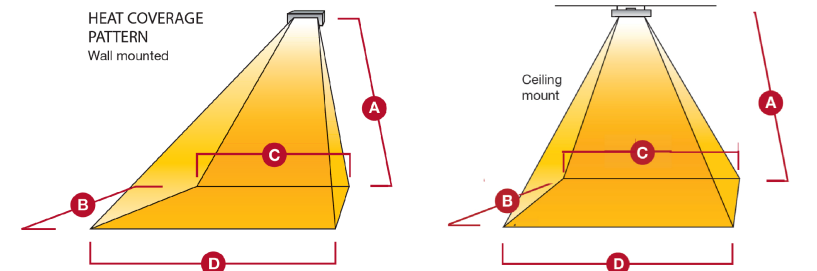
1. CEILING SUSPENDED
 - CONTRACTOR SUPPLIED CHAIN OR BRACKET
 - SOLAIRA EXTENSION BRACKET ACCESSORY (OPTIONAL, SOLD SEPARATELY)
2. WALL MOUNTED
 - STANDARD WALL MOUNTING BRACKET



OVERALL SIZE AND MOUNTING DIMENSIONS



120V UNIT: 8' SUPPLIED CABLE, NO PLUG
240V / 277V UNITS: 6'7" SUPPLIED CABLE



MODEL	A (FEET)	B (FEET)	C (FEET)	D (FEET)	HEAT ZONE* (SQUARE FEET)	HEAT DENSITY* (WATTS/ SQUARE FEET)
SALPHA15120	8.2	10	10	12	110	13
SALPHA15240	8.2	10	10	12	110	13
SALPHA20240	8.2	10	10	12	110	18
SALPHA15240L1	8.2	10	10	12	110	13
SALPHA20240L1	8.2	10	10	12	110	18

HEAT DENSITY IS REDUCED BY 25% WHEN DE-RATED TO 208V
HEAT DENSITY AND DISTRIBUTION REMAINS UNCHANGED AT 277V
WITH SAME WATTAGE OUTPUT

SHORTWAVE INFRARED HEATERS FOR:
INDOOR USE - RESIDENTIAL (1500W ONLY*), COMMERCIAL AND INDUSTRIAL
OUTDOOR USE - RESIDENTIAL, COMMERCIAL AND INDUSTRIAL
FOR USE IN NON-HAZARDOUS AREAS ONLY
*2000W HEATER IS NOT SUITABLE FOR INDOOR RESIDENTIAL USE

**HEATER SPECIFICATIONS

DESCRIPTION	ITEM/ SKU	WEIGHT (LBS/KG)	120V / 240V / 277V							208V						
			POWER (WATTS)	HEAT DELIVERED (BTU)	VOLTAGE (VOLTS)	CURRENT (AMPS)	MINIMUM HEIGHT (INCH/cm) (Y1)	CEILING CLEARANCE (INCH/cm) (Y2)	SIDE WALL CLEARANCE (INCH/cm) (X)	POWER (WATTS)	HEAT DELIVERED (BTU)	VOLTAGE (VOLTS)	CURRENT (AMPS)	MINIMUM HEIGHT (INCH/cm) (Y1)	CEILING CLEARANCE (INCH/cm) (Y2)	SIDE WALL CLEARANCE (INCH/cm) (X)
ALPHA H1 - 1500W / 120V	SALPHA15120*	7.5/3.4	1500	5100	120	12.5	79/201	11.75/30	40/100	NOT APPLICABLE						
ALPHA H1 - 1500W / 240V	SALPHA15240*	7.5/3.4	1500	5100	240	6.3	79/201	11.75/30	40/100	1125	3825	208	5.4	79/201	11.75/30	40/100
ALPHA H1 - 2000W / 240V	SALPHA20240*	7.5/3.4	2000	6800	240	8.3	79/201	19.5/50	40/100	1500	5100	208	7.2	79/201	19.5/50	40/100
ALPHA H1 CANDEL - 1500W / 240V	SALPHA15240L1*	7.5/3.4	1500	5100	240	6.3	79/201	11.75/30	40/100	1125	3825	208	5.4	79/201	11.75/30	40/100
ALPHA H1 CANDEL - 2000W / 240V	SALPHA20240L1*	7.5/3.4	2000	6800	240	8.3	79/201	19.5/50	40/100	1500	5100	208	7.2	79/201	19.5/50	40/100
ALPHA H1 CANDEL - 2000W / 277V	SALPHA20277L1*	7.5/3.4	2000	6800	277	7.2	79/201	19.5/50	40/100	NOT APPLICABLE						

SKU NOTES: *SEE PRODUCT CATALOGUE FOR STANDARD COLOR OPTIONS. L1 DENOTES CANDEL ULTRA LOW LIGHT LAMP. ALL HEATERS COME WITH STANDARD 6.5" L BRACKETS | ** SPECIFICATIONS SUBJECT TO CHANGE WITHOUT NOTICE

NOTICE: THIS DOCUMENT IS NOT A SUBSTITUTE FOR APPROVED MANUAL. Failure to follow instruction manual may cause fire, electric shock or injury to persons. Solaira™ is a registered trademark of Inforesight Consumer Products. Customer, contractor specifier and installer understands that some or all products provided by Inforesight Consumer Products Inc. may not be available for purchase or installation in certain jurisdictions or geographical areas. Inforesight Consumer Products Inc. reserves the right, in its sole discretion, to exclude or otherwise limit the provision of any product to a person or entity residing in any jurisdiction or geographical area outside of Canada. Inforesight Consumer Products Inc. provides general product installation guidelines and procedures and Customer, contractor, specifier and installer understands that Customer, contractor, specifier and installer is solely and exclusively responsible for installation of the product and ascertaining all applicable local municipal, provincial, state, and federal NEC (National Electrical Code) rules, by-law, ordinances and guidelines applicable to the installation of any Inforesight Consumer Products Inc. products. Customer contractor, specifier and installer must strictly adhere to and be compliant with the local rules, laws, ordinances and legal requirements for the safe installation and use of any Inforesight Consumer Products Inc. products. Instruction manuals are included with the product packaging and copies of our instruction manuals are available upon request. Under no circumstances shall Inforesight Consumer Products Inc. or its affiliated entities, employees, agents, shareholders, officers or directors be liable to Customer or any third party for any product installations and Customer, contractor, specifier and installer releases Inforesight Consumer Products Inc. from any and all losses, death, personal injury, property damage, other damages, rights, claims, demands and actions of any kind arising from the Customer's installation and use of the product, whether the installation was or was not in accord with the provided instruction manual and/or in compliance with applicable local laws. Solaira products are to be installed by licensed technicians per instruction manuals and to all provincial/state and national (N.E.C.) code requirements; specifications subject to change without notice.

C2	2021-11-25
REVISION	DATE: YYYY-MM-DD



Certified to UL2021 and CSA 22.2 46-13

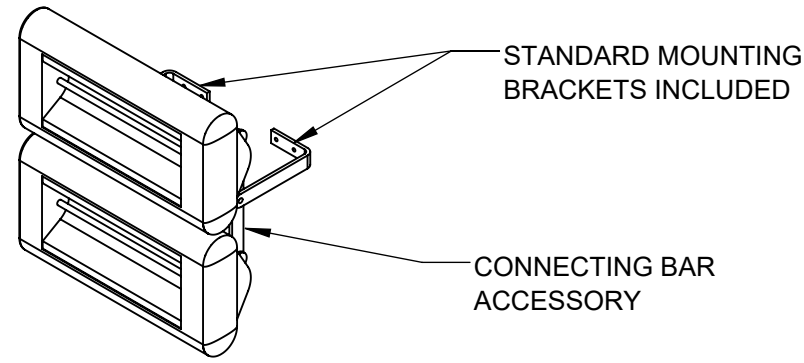
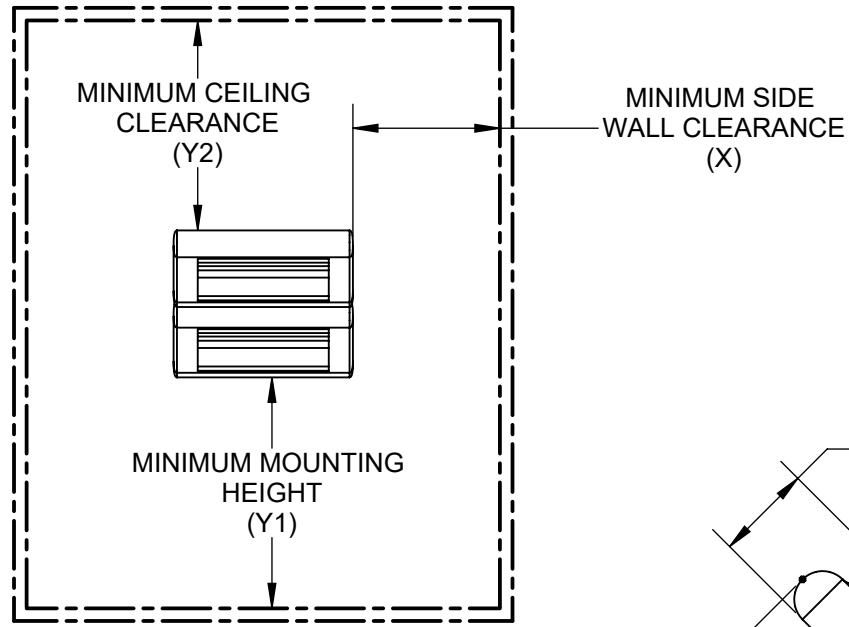
Solaira
The Architect and Engineer's Choice

MODEL
SOLAIRA ALPHA H1

SHEET NO. 1 OF 3	SHEET SCALE 1:8	SHEET SIZE 11X17
---------------------	--------------------	---------------------

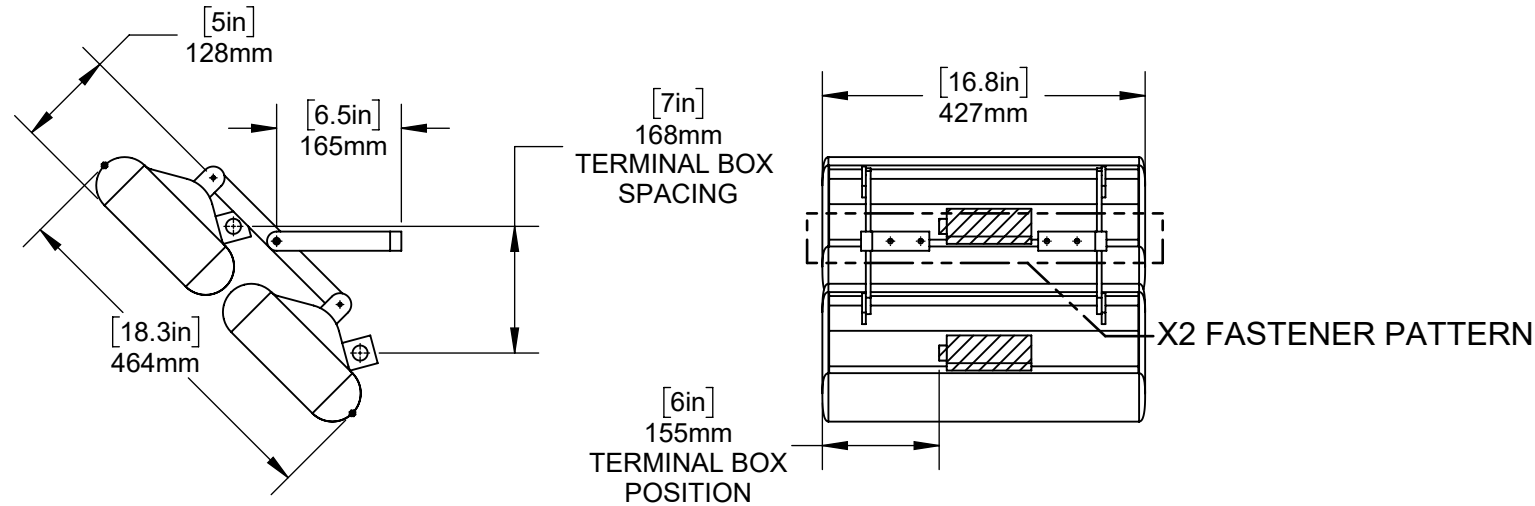
HEATER CLEARANCE REQUIREMENTS

SEE 'HEATER SPECIFICATIONS' TABLE

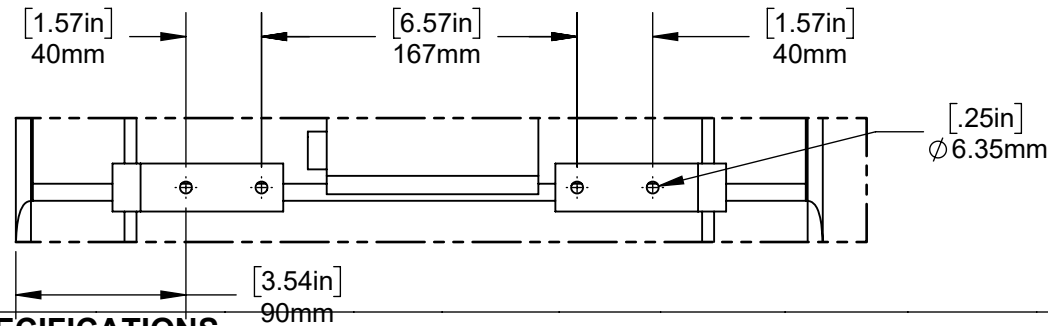


ISOMETRIC VIEW

OVERALL SIZE AND MOUNTING DIMENSIONS

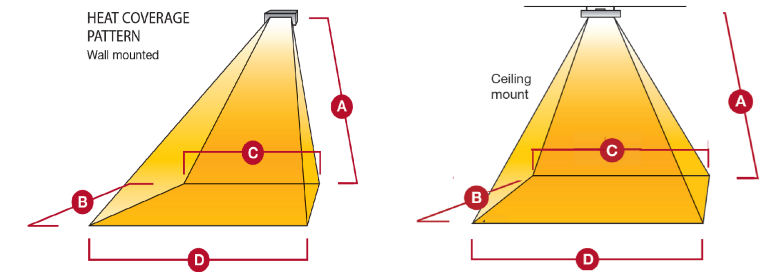
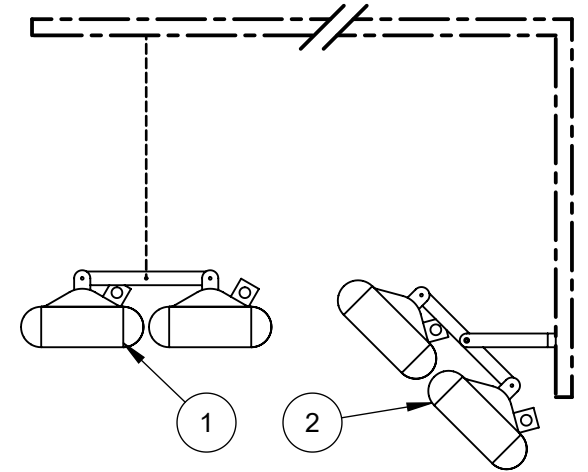


X2 FASTENER PATTERN SCALE 1 : 4



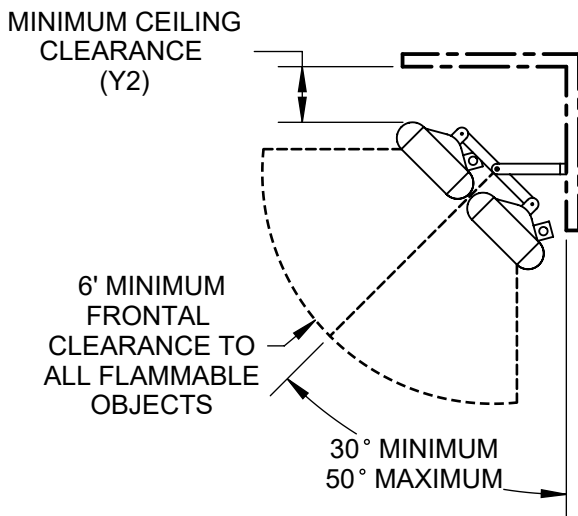
SUITABLE MOUNTING CONFIGURATIONS

1. CEILING SUSPENDED
 - CONTRACTOR SUPPLIED CHAIN OR BRACKET
 - SOLAIRA CONNECTING BAR ACCESSORY (SOLD SEPARATELY, 2 REQUIRED)
2. WALL MOUNTED
 - STANDARD WALL MOUNTING BRACKET + SOLAIRA CONNECTING BAR (2 REQUIRED)



MODEL	A (FEET)	B (FEET)	C (FEET)	D (FEET)	HEAT ZONE* (SQUARE FEET)	HEAT DENSITY* (WATTS/ SQUARE FEET)
2X SALPHA15240	10	11	11	13	130	23
2X SALPHA20240	10	11	11	13	130	31
2X SALPHA15240L1	10	11	11	13	130	23
2X SALPHA20240L1	10	11	11	13	130	31

HEAT DENSITY IS REDUCED BY 25% WHEN DE-RATED TO 208V
HEAT DENSITY AND DISTRIBUTION REMAINS UNCHANGED AT 277V
WITH SAME WATTAGE OUTPUT



SHORTWAVE INFRARED HEATERS FOR:
INDOOR USE - COMMERCIAL AND INDUSTRIAL ONLY
OUTDOOR USE - RESIDENTIAL, COMMERCIAL AND INDUSTRIAL
FOR USE IN NON-HAZARDOUS AREAS ONLY

**HEATER SPECIFICATIONS

DESCRIPTION	ITEM/ SKU	WEIGHT (LBS/KG)	120V / 240V / 277V							208V						
			POWER (WATTS)	HEAT DELIVERED (BTU)	VOLTAGE (VOLTS)	CURRENT (AMPS)	MINIMUM HEIGHT (INCH/cm) (Y1)	CEILING CLEARANCE (INCH/cm) (Y2)	SIDE WALL CLEARANCE (INCH/cm) (X)	POWER (WATTS)	HEAT DELIVERED (BTU)	VOLTAGE (VOLTS)	CURRENT (AMPS)	MINIMUM HEIGHT (INCH/cm) (Y1)	CEILING CLEARANCE (INCH/cm) (Y2)	SIDE WALL CLEARANCE (INCH/cm) (X)
2X ALPHA H1 - 1500W / 120V	2X SALPHA15120*	15/6.8	3000	10200	120	25	98/250	19.5/50	40/100	NOT APPLICABLE						
2X ALPHA H1 - 1500W / 240V	2X SALPHA15240*	15/6.8	3000	10200	240	12.6	98/250	19.5/50	40/100	2250	7650	208	10.8	98/250	19.5/50	40/100
2X ALPHA H1 - 2000W / 240V	2X SALPHA20240*	15/6.8	4000	13600	240	16.6	98/250	19.5/50	40/100	3000	10200	208	14.4	98/250	19.5/50	40/100
2X ALPHA H1 CANDEL - 1500W / 240V	2X SALPHA15240L1*	15/6.8	3000	10200	240	12.6	98/250	19.5/50	40/100	2250	7650	208	10.8	98/250	19.5/50	40/100
2X Alpha H1 Candel - 1500W / 240V	2X SALPHA15240L1*	15/6.8	4000	13600	240	16.6	98/250	19.5/50	40/100	3000	10200	208	14.4	98/250	19.5/50	40/100
2X Alpha H1 CANDEL- 2000W / 277V	2X SALPHA20277L1*	15/6.8	4000	13600	277	14.4	98/250	19.5/50	40/100	NOT APPLICABLE						

SKU NOTES: *SEE PRODUCT CATALOGUE FOR STANDARD COLOR OPTIONS. L1 DENOTES CANDEL ULTRA LOW LIGHT LAMP. ALL HEATERS COME WITH STANDARD 6.5" L BRACKETS | ** SPECIFICATIONS SUBJECT TO CHANGE WITHOUT NOTICE

NOTICE: THIS DOCUMENT IS NOT A SUBSTITUTE FOR APPROVED MANUAL. Failure to follow instruction manual may cause fire, electric shock or injury to persons. Solaira™ is a registered trademark of Inforesight Consumer Products. Customer, contractor specifier and installer understands that some or all products provided by Inforesight Consumer Products Inc. may not be available for purchase or installation in certain jurisdictions or geographical areas. Inforesight Consumer Products Inc. reserves the right, in its sole discretion, to exclude or otherwise limit the provision of any product to a person or entity residing in any jurisdiction or geographical area outside of Canada. Inforesight Consumer Products Inc. provides general product installation guidelines and procedures and Customer, contractor, specifier and installer understands that Customer, contractor, specifier and installer is solely and exclusively responsible for installation of the product and ascertaining all applicable local municipal, provincial, state, and federal NEC (National Electrical Code) rules, by-law, ordinances and guidelines applicable to the installation of any Inforesight Consumer Products Inc. products. Customer contractor, specifier and installer must strictly adhere to and be compliant with the local rules, laws, ordinances and legal requirements for the safe installation and use of any Inforesight Consumer Products Inc. products. Instruction manuals are included with the product packaging and copies of our instruction manuals are available upon request. Under no circumstances shall Inforesight Consumer Products Inc. or its affiliated entities, employees, agents, shareholders, officers or directors be liable to Customer or any third party for any product installations and Customer, contractor, specifier and installer releases Inforesight Consumer Products Inc. from any and all losses, death, personal injury, property damage, other damages, rights, claims, demands and actions of any kind arising from the Customer's installation and use of the product, whether the installation was or was not in accord with the provided instruction manual and/or in compliance with applicable local laws. Solaira products are to be installed by licensed technicians per instruction manuals and to all provincial/state and national (N.E.C.) code requirements; specifications subject to change without notice.

B1	2021-11-25
REVISION	DATE: YYYY-MM-DD



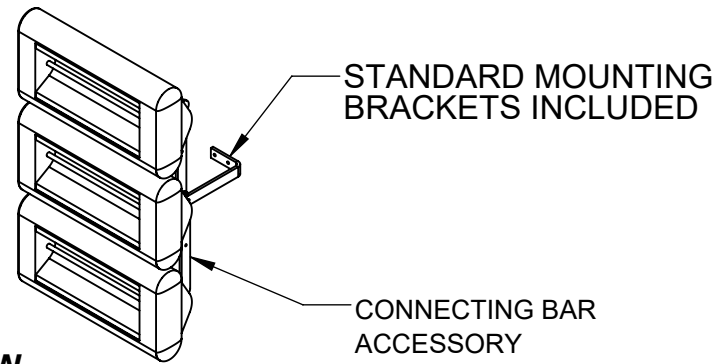
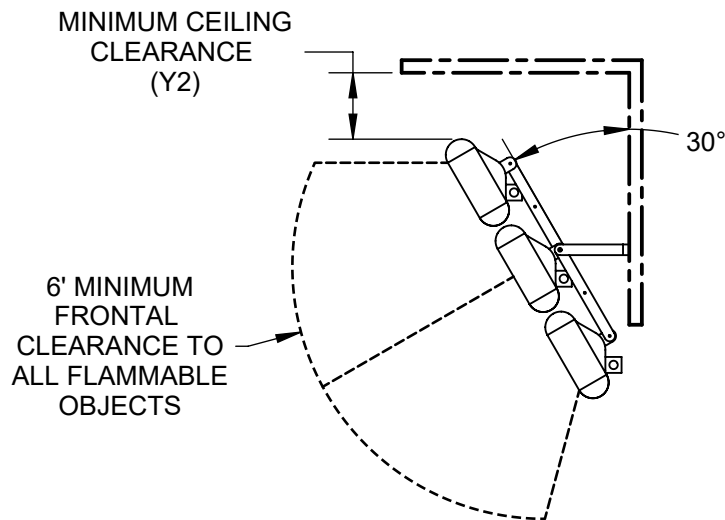
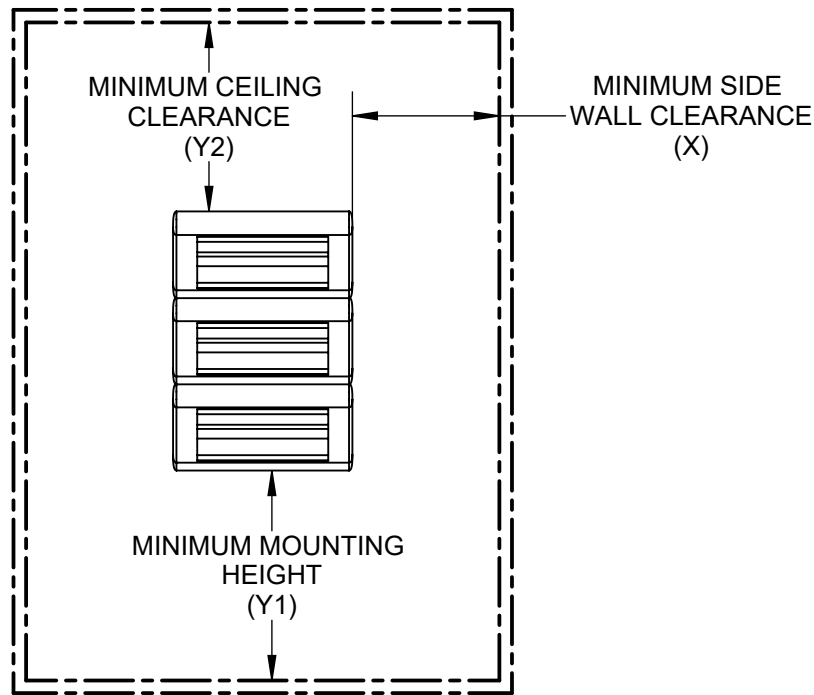
Solaira
The Architect and Engineers Choice

MODEL
SOLAIRA ALPHA H1 X2

SHEET NO. 2 OF 3	SHEET SCALE 1:10	SHEET SIZE 11X17
---------------------	---------------------	---------------------

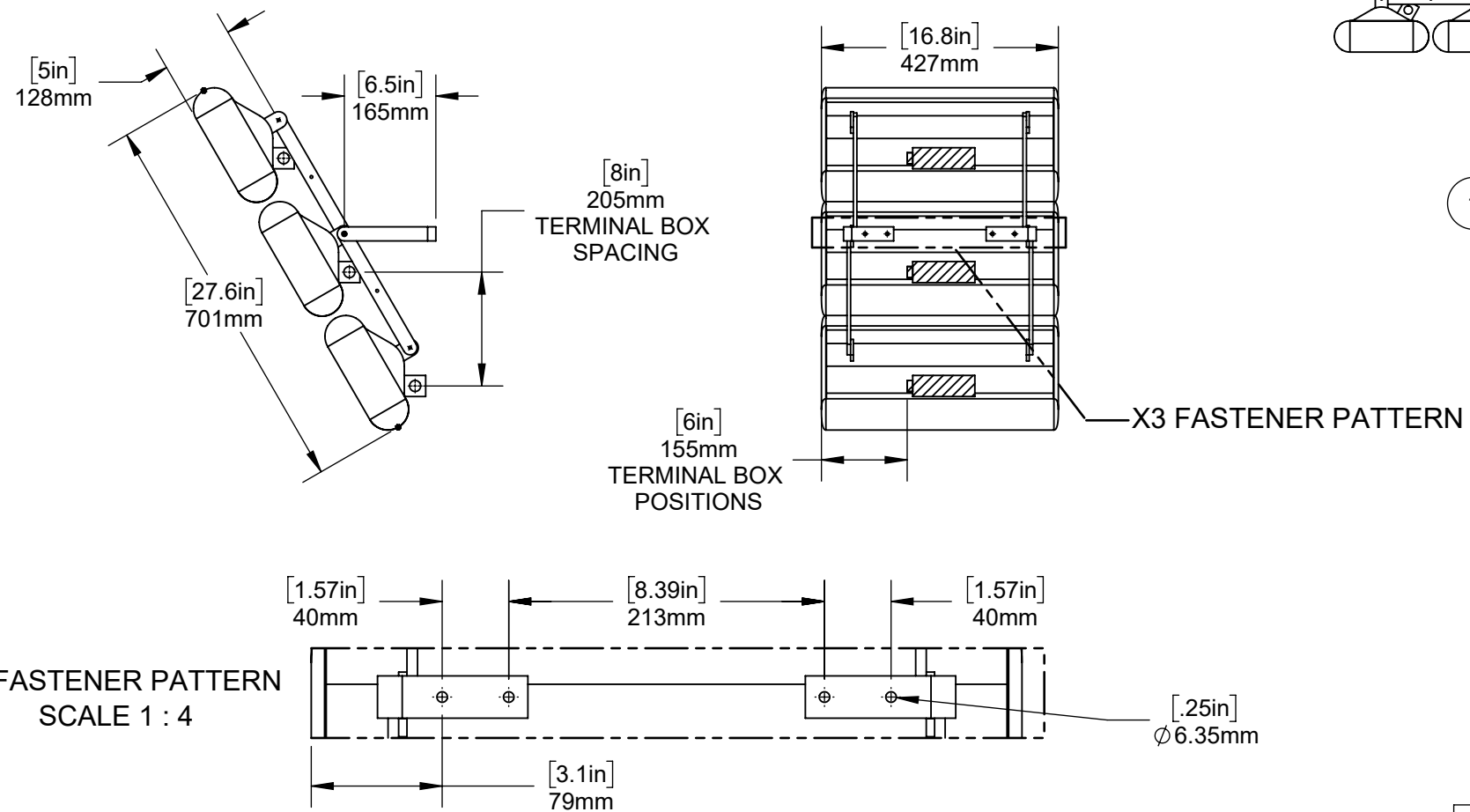
HEATER CLEARANCE REQUIREMENTS

SEE 'HEATER SPECIFICATIONS' TABLE



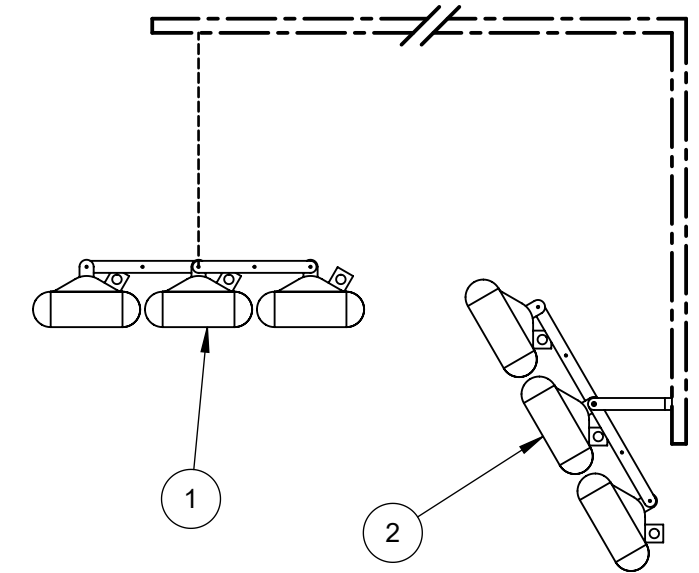
ISOMETRIC VIEW

OVERALL SIZE AND MOUNTING DIMENSIONS



SUITABLE MOUNTING CONFIGURATIONS

1. CEILING SUSPENDED
 - CONTRACTOR SUPPLIED CHAIN OR BRACKET
 - SOLAIRA CONNECTING BAR ACCESSORY (SOLD SEPARATELY, 2 REQUIRED)
2. WALL MOUNTED
 - STANDARD WALL MOUNTING BRACKET + SOLAIRA EXTENSION BAR (2 REQUIRED)



⚠ SHORTWAVE INFRARED HEATERS FOR:
 INDOOR USE - COMMERCIAL AND INDUSTRIAL ONLY
 OUTDOOR USE - RESIDENTIAL, COMMERCIAL AND INDUSTRIAL
 FOR USE IN NON-HAZARDOUS AREAS ONLY

**HEATER SPECIFICATIONS

DESCRIPTION	ITEM/ SKU	WEIGHT (LBS/KG)	120V / 240V / 277V							208V						
			POWER (WATTS)	HEAT DELIVERED (BTU)	VOLTAGE (VOLTS)	CURRENT (AMPS)	MINIMUM HEIGHT (INCH/cm) (Y1)	CEILING CLEARANCE (INCH/cm) (Y2)	SIDE WALL CLEARANCE (INCH/cm) (X)	POWER (WATTS)	HEAT DELIVERED (BTU)	VOLTAGE (VOLTS)	CURRENT (AMPS)	MINIMUM HEIGHT (INCH/cm) (Y1)	CEILING CLEARANCE (INCH/cm) (Y2)	SIDE WALL CLEARANCE (INCH/cm) (X)
3X ALPHA H1 - 1500W / 120V	3X SALPHA15240*	22.5/10.2	4500	15300	120	37.5	108/274	19.5/50	40/100	NOT APPLICABLE						
3X ALPHA H1 - 1500W / 240V	3X SALPHA15240*	22.5/10.2	4500	15300	240	18.8	108/274	19.5/50	40/100	3375	11475	208	14.1	98/250	19.5/50	40/100
3X ALPHA H1 - 2000W / 240V	3X SALPHA20240*	22.5/10.2	6000	20400	240	24.9	120/305	19.5/50	59/150	4500	15300	208	18.7	108/274	19.5/50	59/150
3X ALPHA H1 CANDEL - 1500W / 240V	3X SALPHA15240L1*	22.5/10.2	4500	15300	240	18.8	108/274	19.5/50	40/100	3375	11475	208	14.1	98/250	19.5/50	40/100
3X ALPHA H1 CANDEL - 2000W / 240V	3X SALPHA20240L1*	22.5/10.2	6000	20400	240	24.9	120/305	19.5/50	59/150	4500	15300	208	18.7	108/274	19.5/50	59/150
3X ALPHA H1 CANDEL - 2000W / 277V	3X SALPHA20277L1*	22.5/10.2	6000	20400	277	21.6	120/305	19.5/50	59/150	NOT APPLICABLE						

SKU NOTES: *SEE PRODUCT CATALOGUE FOR STANDARD COLOR OPTIONS. L1 DENOTES CANDEL ULTRA LOW LIGHT LAMP. ALL HEATERS COME WITH STANDARD 6.5" L BRACKETS | ** SPECIFICATIONS SUBJECT TO CHANGE WITHOUT NOTICE

B1	2021-11-25
REVISION	DATE: YYYY-MM-DD



Solaira
The Architect and Engineers Choice

MODEL
SOLAIRA ALPHA H1 X3

SHEET NO.
3 OF 3

SHEET SCALE
1:12

SHEET SIZE
11X17

NOTICE: THIS DOCUMENT IS NOT A SUBSTITUTE FOR APPROVED MANUAL. Failure to follow instruction manual may cause fire, electric shock or injury to persons. Solaira™ is a registered trademark of Inforesight Consumer Products. Customer, contractor specifier and installer understands that some or all products provided by Inforesight Consumer Products Inc. may not be available for purchase or installation in certain jurisdictions or geographical areas. Inforesight Consumer Products Inc. reserves the right, in its sole discretion, to exclude or otherwise limit the provision of any product to a person or entity residing in any jurisdiction or geographical area outside of Canada. Inforesight Consumer Products Inc. provides general product installation guidelines and procedures and Customer, contractor, specifier and installer understands that Customer, contractor, specifier and installer is solely and exclusively responsible for installation of the product and ascertaining all applicable local municipal, provincial, state, and federal NEC (National Electrical Code) rules, by-law, ordinances and guidelines applicable to the installation of any Inforesight Consumer Products Inc. products. Customer contractor, specifier and installer must strictly adhere to and be compliant with the local rules, laws, ordinances and legal requirements for the safe installation and use of any Inforesight Consumer Products Inc. products. Instruction manuals are included with the product packaging and copies of our instruction manuals are available upon request. Under no circumstances shall Inforesight Consumer Products Inc. or its affiliated entities, employees, agents, shareholders, officers or directors be liable to Customer or any third party for any product installations and Customer, contractor, specifier and installer releases Inforesight Consumer Products Inc. from any and all losses, death, personal injury, property damage, other damages, rights, claims, demands and actions of any kind arising from the Customer's installation and use of the product, whether the installation was or was not in accord with the provided instruction manual and/or in compliance with applicable local laws. Solaira products are to be installed by licensed technicians per instruction manuals and to all provincial/state and national (N.E.C.) code requirements; specifications subject to change without notice.