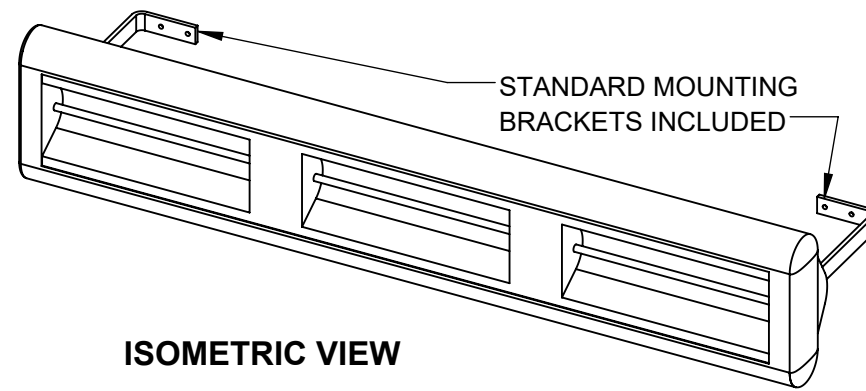
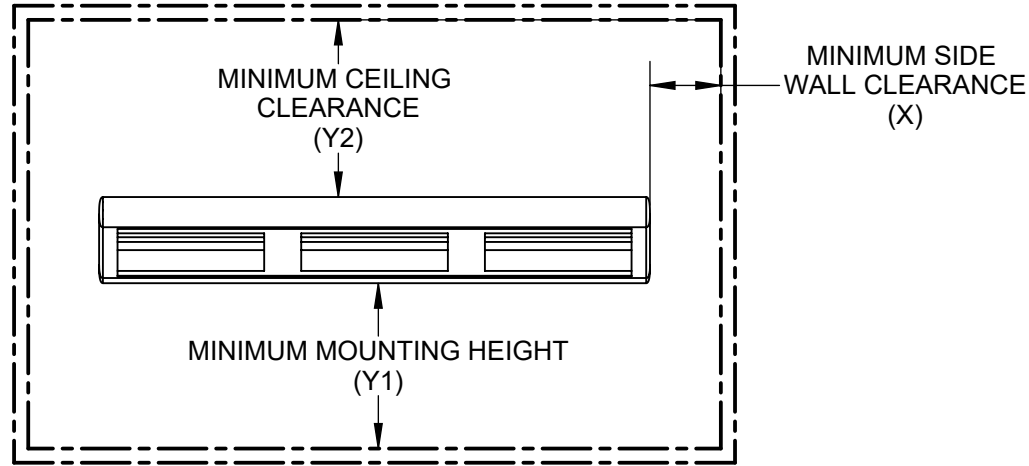


HEATER CLEARANCE REQUIREMENTS

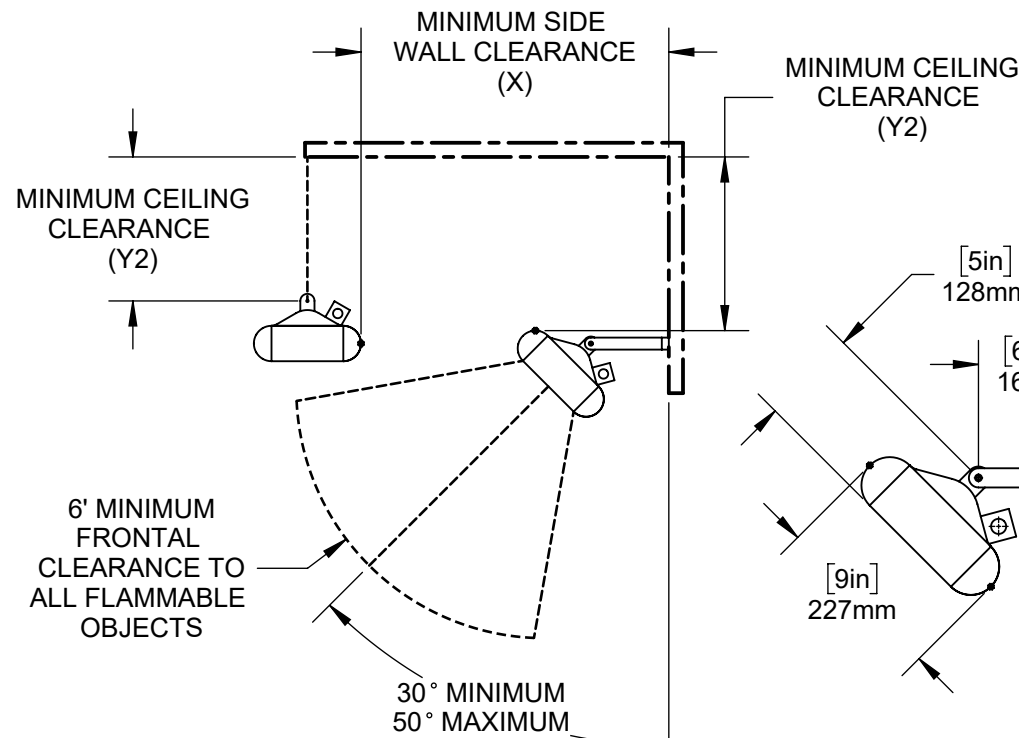
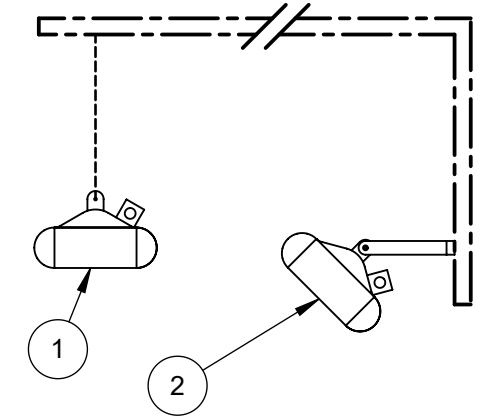
SEE 'HEATER SPECIFICATIONS' TABLE



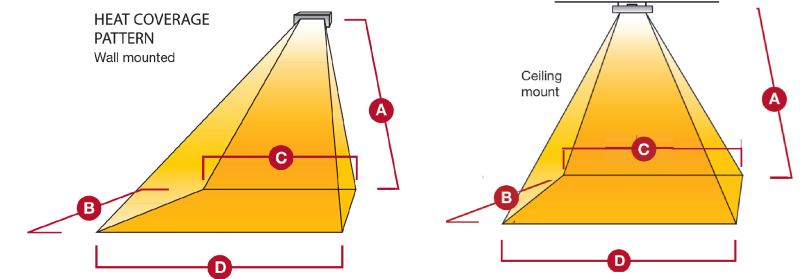
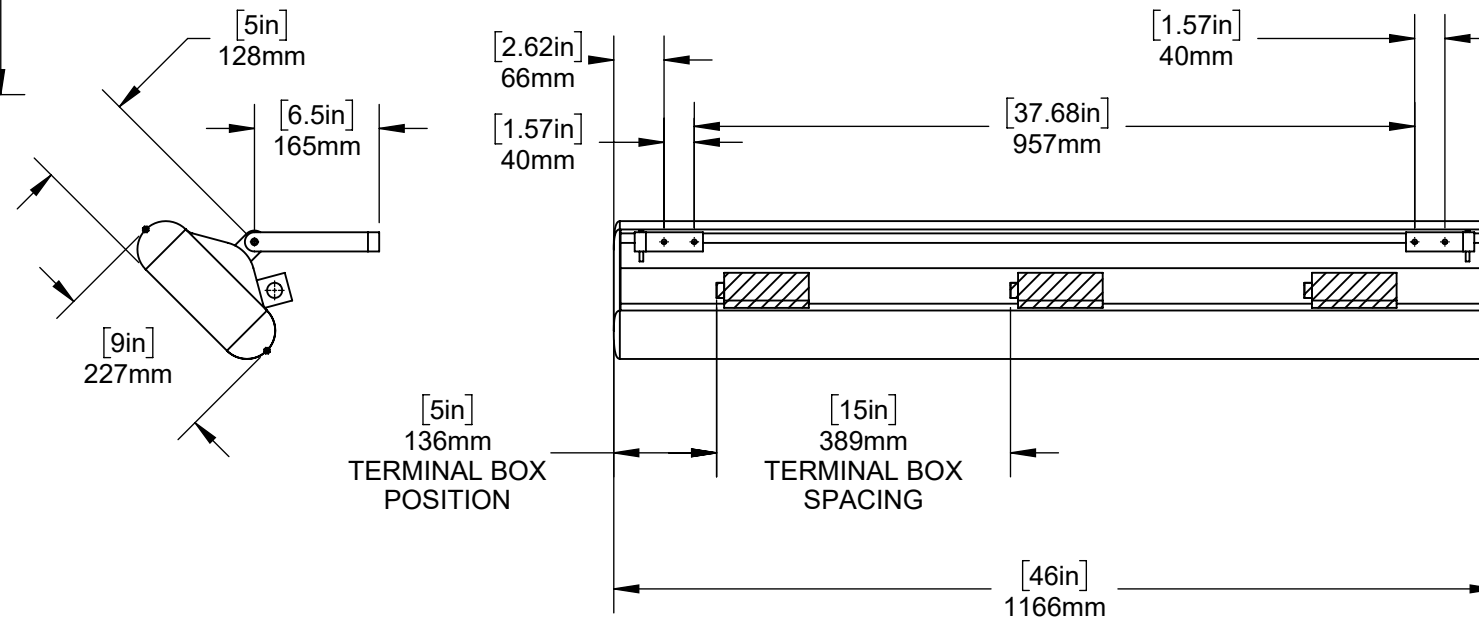
ISOMETRIC VIEW

SUITABLE MOUNTING CONFIGURATIONS

- CEILING SUSPENDED
 - CONTRACTOR SUPPLIED CHAIN OR BRACKET
 - SOLAIRA EXTENSION BRACKET ACCESSORY (OPTIONAL, SOLD SEPARATELY)
- WALL MOUNTED



OVERALL SIZE AND MOUNTING DIMENSIONS



MODEL	A (FEET)	B (FEET)	C (FEET)	D (FEET)	HEAT ZONE* (SQUARE FEET)	HEAT DENSITY* (WATTS/SQUARE FEET)
SALPHA3-45240	9	11	14	16	165	27
SALPHA3-60240	10	12	15	18	198	30.3
SALPHA3-45240L1	9	11	14	16	165	27
SALPHA3-60240L1	10	12	15	18	198	30.3

HEAT DENSITY IS REDUCED BY 25% WHEN DE-RATED TO 208V
HEAT DENSITY AND DISTRIBUTION REMAINS UNCHANGED AT 277V
WITH SAME WATTAGE OUTPUT

SHORTWAVE INFRARED HEATERS FOR:
 INDOOR USE - COMMERCIAL AND INDUSTRIAL
 OUTDOOR USE - RESIDENTIAL, COMMERCIAL AND INDUSTRIAL
 FOR USE IN NON-HAZARDOUS AREAS ONLY

**HEATER SPECIFICATIONS

DESCRIPTION	ITEM/ SKU	WEIGHT (LBS/KG)	240V						208V							
			POWER (WATTS)	HEAT DELIVERED (BTU)	VOLTAGE (VOLTS)	CURRENT (AMPS)	MINIMUM HEIGHT (INCH/cm) (Y1)	CEILING CLEARANCE (INCH/cm) (Y2)	SIDE WALL CLEARANCE (INCH/cm) (X)	POWER (WATTS)	HEAT DELIVERED (BTU)	VOLTAGE (VOLTS)	CURRENT (AMPS)	MINIMUM HEIGHT (INCH/cm) (Y1)	CEILING CLEARANCE (INCH/cm) (Y2)	SIDE WALL CLEARANCE (INCH/cm) (X)
ALPHA H3 - 4500W / 240V	SALPHA3-45240*	17.5/8	4500	15300	240	18.8	108/274	19.5/50	40/100	3375	11475	208	16.2	99/250	19.5/50	40/100
ALPHA H3 - 6000W / 240V	SALPHA3-60240*	17.5/8	6000	20400	240	25	120/305	19.5/50	59/150	4500	15300	208	21.6	108/274	19.5/50	59/150
ALPHA H3 CANDEL - 4500W / 240V	SALPHA3-45240L1*	17.5/8	4500	15300	240	18.8	108/274	19.5/50	40/100	3375	11475	208	16.2	99/250	19.5/50	40/100
ALPHA H3 CANDEL - 6000W / 240V	SALPHA3-60240L1*	17.5/8	6000	20400	240	25	120/305	19.5/50	59/150	4500	15300	208	21.6	108/274	19.5/50	59/150
ALPHA H3 CANDEL - 6000W / 277V	SALPHA3-60277L1	17.5/8	6000	20400	277	21.7	120/305	19.5/50	59/150	NOT APPLICABLE						

SKU NOTES: *SEE PRODUCT CATALOGUE FOR STANDARD COLOR OPTIONS. L1 DENOTES CANDEL ULTRA LOW LIGHT LAMP. ALL HEATERS COME WITH STANDARD 6.5" L BRACKETS | ** SPECIFICATIONS SUBJECT TO CHANGE WITHOUT NOTICE



Certified to UL2021 and CSA 22.2 46-13

B1	2021-11-25
REVISION	DATE: YYYY-MM-DD

Solaira
The Architect and Engineers Choice

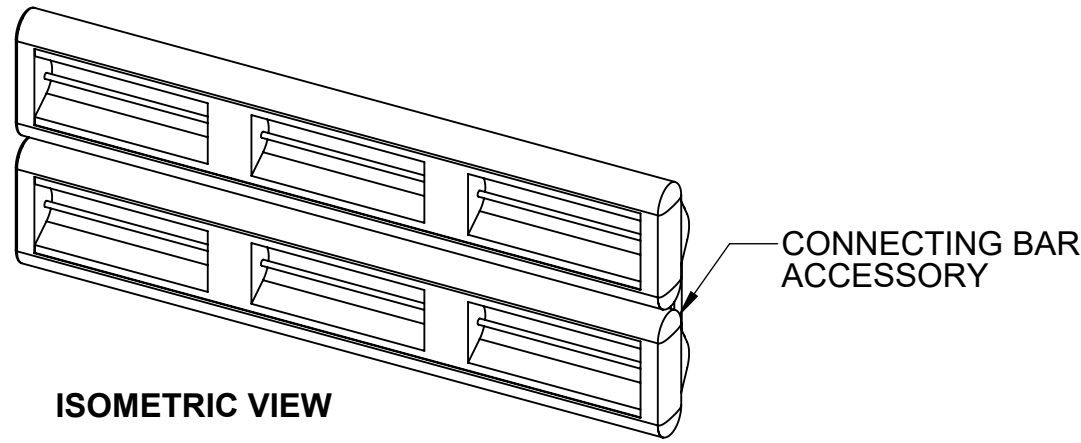
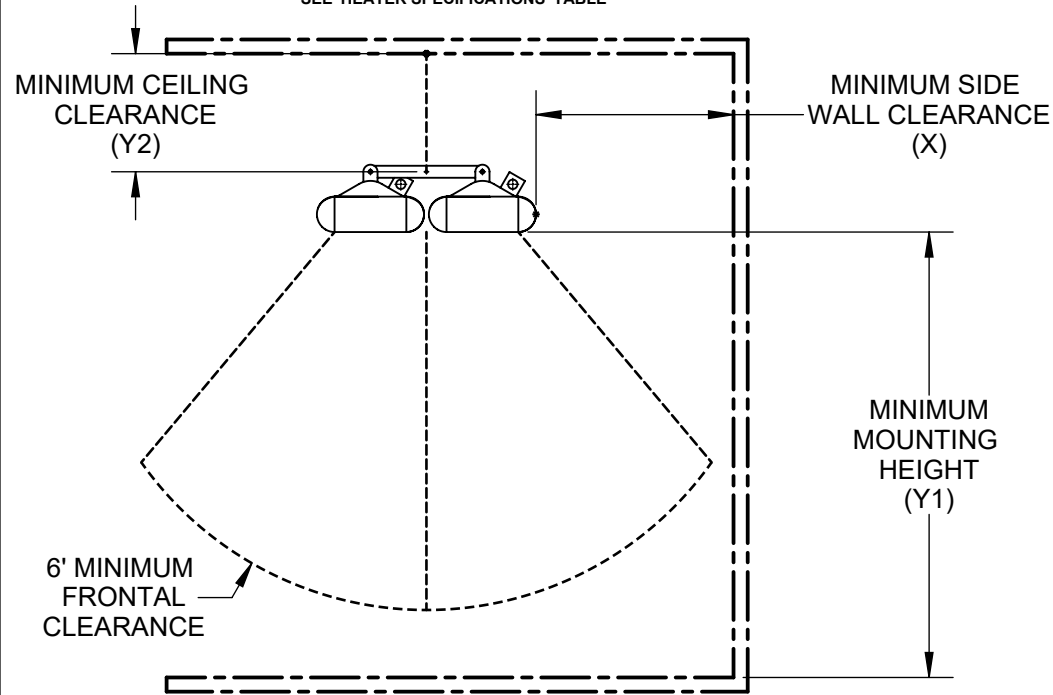
MODEL
SOLAIRA ALPHA H3

SHEET NO. 1 OF 2	SHEET SCALE 1:10	SHEET SIZE 11X17
---------------------	---------------------	---------------------

NOTICE: THIS DOCUMENT IS NOT A SUBSTITUTE FOR APPROVED MANUAL. Failure to follow instruction manual may cause fire, electric shock or injury to persons. Solaira™ is a registered trademark of Inforesight Consumer Products. Customer, contractor specifier and installer understands that some or all products provided by Inforesight Consumer Products Inc. may not be available for purchase or installation in certain jurisdictions or geographical areas. Inforesight Consumer Products Inc. reserves the right, in its sole discretion, to exclude or otherwise limit the provision of any product to a person or entity residing in any jurisdiction or geographical area outside of Canada. Inforesight Consumer Products Inc. provides general product installation guidelines and procedures and Customer, contractor, specifier and installer understands that Customer, contractor, specifier and installer is solely and exclusively responsible for installation of the product and ascertaining all applicable local municipal, provincial, state, and federal NEC (National Electrical Code) rules, by-law, ordinances and guidelines applicable to the installation of any Inforesight Consumer Products Inc. products. Customer contractor, specifier and installer must strictly adhere to and be compliant with the local rules, laws, ordinances and legal requirements for the safe installation and use of any Inforesight Consumer Products Inc. products. Instruction manuals are included with the product packaging and copies of our instruction manuals are available upon request. Under no circumstances shall Inforesight Consumer Products Inc. or its affiliated entities, employees, agents, shareholders, officers or directors be liable to Customer or any third party for any product installations and Customer, contractor, specifier and installer releases Inforesight Consumer Products Inc. from any and all losses, death, personal injury, property damage, other damages, rights, claims, demands and actions of any kind arising from the Customer's installation and use of the product, whether the installation was or was not in accord with the provided instruction manual and/or in compliance with applicable local laws. Solaira products are to be installed by licensed technicians per instruction manuals and to all provincial/state and national (N.E.C.) code requirements; specifications subject to change without notice.

HEATER CLEARANCE REQUIREMENTS

SEE 'HEATER SPECIFICATIONS' TABLE

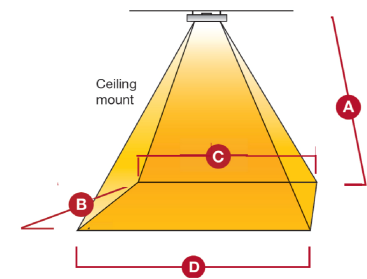
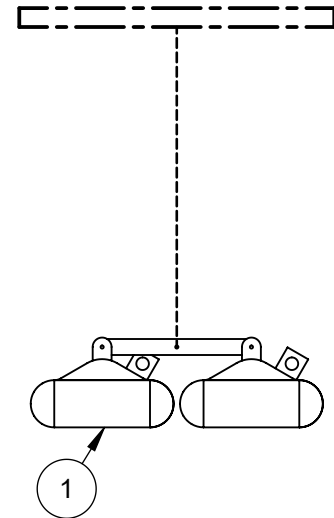


ISOMETRIC VIEW

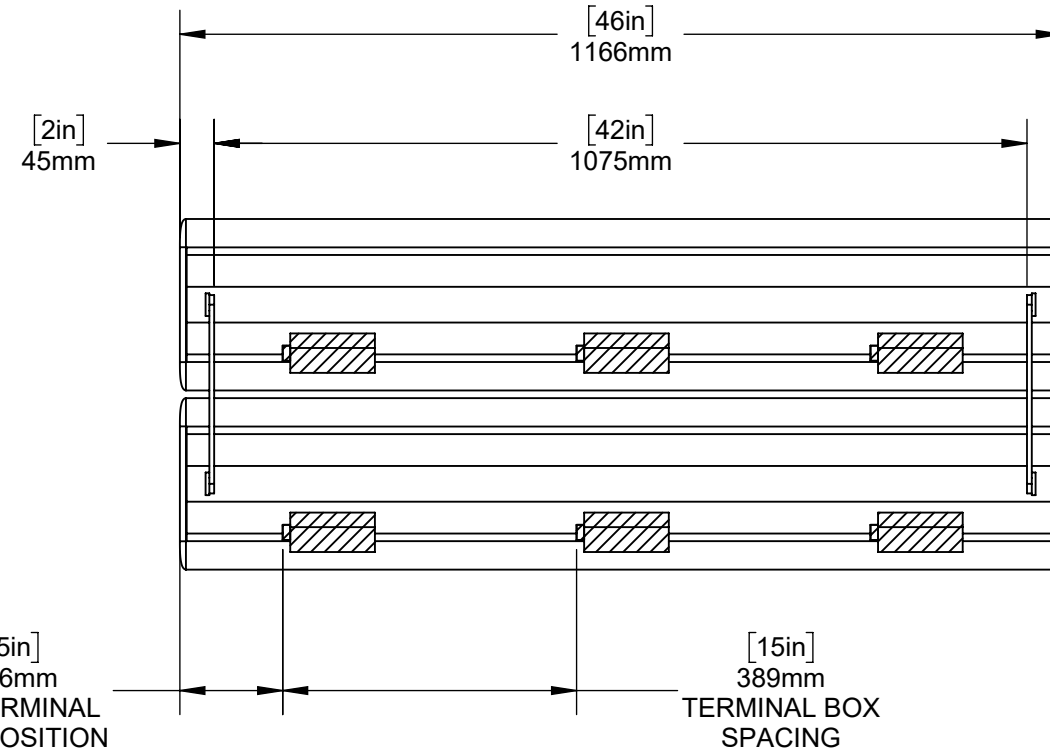
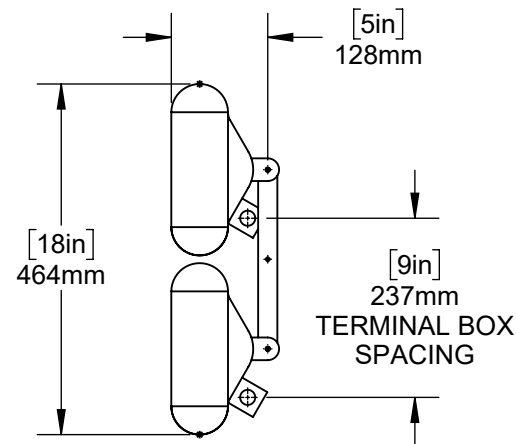
SUITABLE MOUNTING CONFIGURATIONS

1. CEILING SUSPENDED

- CONTRACTOR SUPPLIED CHAIN OR BRACKET
- SOLAIRA CONNECTING BAR ACCESSORY (SOLD SEPARATELY, 2 REQUIRED).



OVERALL SIZE AND MOUNTING DIMENSIONS



MODEL	A (FEET)	B (FEET)	C (FEET)	D (FEET)	HEAT ZONE* (SQUARE FEET)	HEAT DENSITY* (WATTS/SQUARE FEET)
2X SALPHA3-45240	15	16	17	17	272	33
2X SALPHA3-60240	15	18	18	18	324	37
2X SALPHA3-45240	15	16	17	17	272	33
2X SALPHA3-60240	15	18	18	18	324	37

HEAT DENSITY IS REDUCED BY 25% WHEN DE-RATED TO 208V
HEAT DENSITY AND DISTRIBUTION REMAINS UNCHANGED AT 277V
WITH SAME WATTAGE OUTPUT

⚠ SHORTWAVE INFRARED HEATERS FOR:
INDOOR USE - COMMERCIAL AND INDUSTRIAL ONLY
OUTDOOR USE - RESIDENTIAL, COMMERCIAL AND INDUSTRIAL
FOR USE IN NON-HAZARDOUS AREAS ONLY

**HEATER SPECIFICATIONS

DESCRIPTION	ITEM/ SKU	WEIGHT (LBS/KG)	120/240V							208V						
			POWER (WATTS)	HEAT DELIVERED (BTU)	VOLTAGE (VOLTS)	CURRENT (AMPS)	MINIMUM HEIGHT (INCH/cm) (Y1)	CEILING CLEARANCE (INCH/cm) (Y2)	SIDE WALL CLEARANCE (INCH/cm) (X)	POWER (WATTS)	HEAT DELIVERED (BTU)	VOLTAGE (VOLTS)	CURRENT (AMPS)	MINIMUM HEIGHT (INCH/cm) (Y1)	CEILING CLEARANCE (INCH/cm) (Y2)	SIDE WALL CLEARANCE (INCH/cm) (X)
2X ALPHA H3 - 4500W / 240V	2X SALPHA3-45240*	35.2/16	9000	30600	240	37.5	158/401	19.5/50	59/150	6750	22950	208	32.5	132/335	19.5/50	59/150
2X ALPHA H3 - 6000W / 240V	2X SALPHA3-60240*	35.2/16	12000	40800	240	50	177/450	19.5/50	59/150	9000	30600	208	43.3	15/401	19.5/50	59/150
2X Alpha H3 Candel- 4500W / 240V	2X SALPHA3-45240L1*	35.2/16	9000	30600	240	37.5	158/401	19.5/50	59/150	6750	22950	208	32.5	132/335	19.5/50	59/150
2X Alpha H3 CANDEL - 6000W / 240V	2X SALPHA3-60240L1*	35.2/16	12000	40800	240	50	177/450	19.5/50	59/150	9000	30600	208	43.3	15/401	19.5/50	59/150
2X Alpha H3 CANDEL - 6000W / 277V	2X SALPHA3-60277L1*	35.2/16	12000	40800	277	43.3	177/450	19.5/50	59/150	NOT APPLICABLE						

SKU NOTES: *SEE PRODUCT CATALOGUE FOR STANDARD COLOR OPTIONS. L1 DENOTES CANDEL ULTRA LOW LIGHT LAMP. ALL HEATERS COME WITH STANDARD 6.5" L BRACKETS | ** SPECIFICATIONS SUBJECT TO CHANGE WITHOUT NOTICE

B1	2021-11-25
REVISION	DATE: YYYY-MM-DD



Solaira
The Architect and Engineers Choice

MODEL
SOLAIRA ALPHA H3 X2

SHEET NO. 2 OF 2	SHEET SCALE 1:10	SHEET SIZE 11X17
---------------------	---------------------	---------------------

NOTICE: THIS DOCUMENT IS NOT A SUBSTITUTE FOR APPROVED MANUAL. Failure to follow instruction manual may cause fire, electric shock or injury to persons. Solaira™ is a registered trademark of Inforesight Consumer Products. Customer, contractor specifier and installer understands that some or all products provided by Inforesight Consumer Products Inc. may not be available for purchase or installation in certain jurisdictions or geographical areas. Inforesight Consumer Products Inc. reserves the right, in its sole discretion, to exclude or otherwise limit the provision of any product to a person or entity residing in any jurisdiction or geographical area outside of Canada. Inforesight Consumer Products Inc. provides general product installation guidelines and procedures and Customer, contractor, specifier and installer understands that Customer, contractor, specifier and installer is solely and exclusively responsible for installation of the product and ascertaining all applicable local municipal, provincial, state, and federal NEC (National Electrical Code) rules, by-law, ordinances and guidelines applicable to the installation of any Inforesight Consumer Products Inc. products. Customer contractor, specifier and installer must strictly adhere to and be compliant with the local rules, laws, ordinances and legal requirements for the safe installation and use of any Inforesight Consumer Products Inc. products. Instruction manuals are included with the product packaging and copies of our instruction manuals are available upon request. Under no circumstances shall Inforesight Consumer Products Inc. or its affiliated entities, employees, agents, shareholders, officers or directors be liable to Customer or any third party for any product installations and Customer, contractor, specifier and installer releases Inforesight Consumer Products Inc. from any and all losses, death, personal injury, property damage, other damages, rights, claims, demands and actions of any kind arising from the Customer's installation and use of the product, whether the installation was or was not in accord with the provided instruction manual and/or in compliance with applicable local laws. Solaira products are to be installed by licensed technicians per instruction manuals and to all provincial/state and national (N.E.C.) code requirements; specifications subject to change without notice.