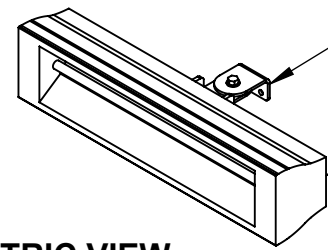
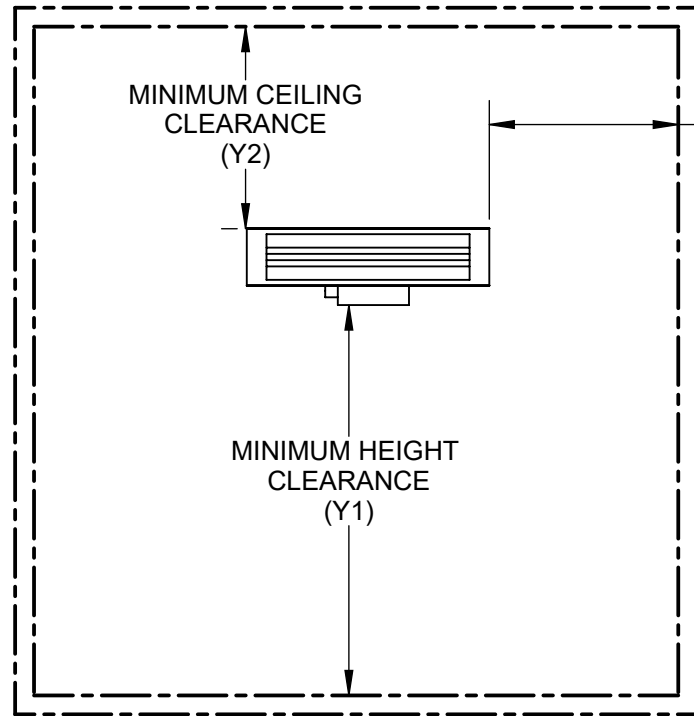


# HEATER CLEARANCE REQUIREMENTS

SEE 'HEATER SPECIFICATIONS' TABLE



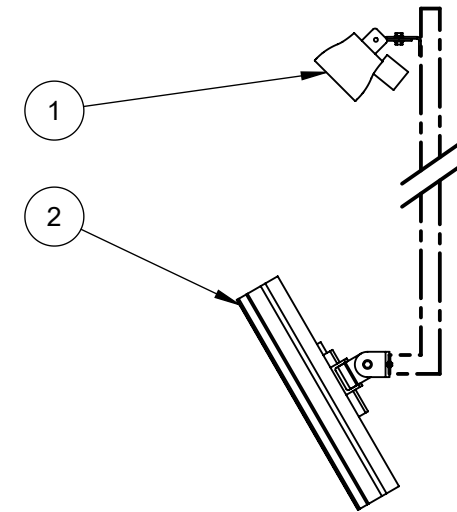
ISOMETRIC VIEW

STANDARD MOUNTING BRACKETS INCLUDED

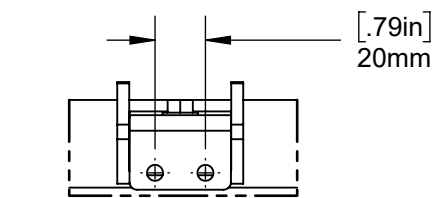
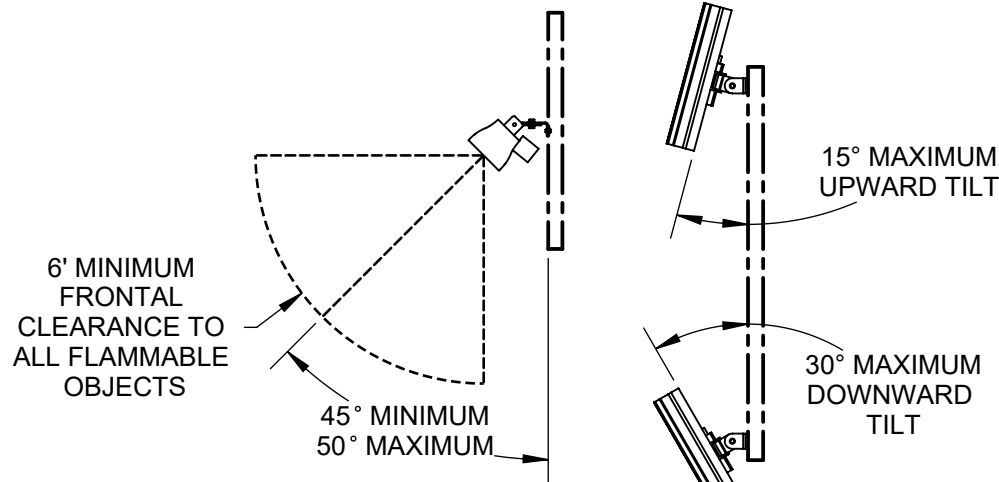
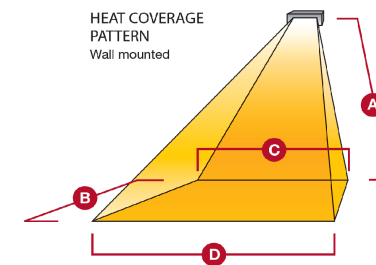
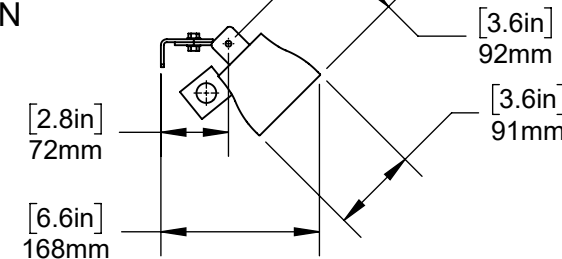
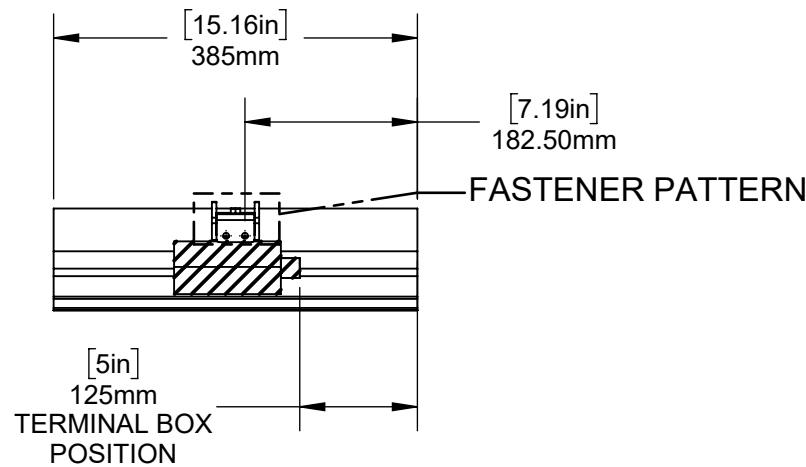
120V MODEL: 15' CABLE, GROUNDED PLUG  
240V MODEL: 6'7 CABLE, NO PLUG

# SUITABLE MOUNTING CONFIGURATIONS

1. WALL MOUNTED
  2. VERTICAL - TILTED
- SEE MAX TILT GUIDELINES



# OVERALL SIZE AND MOUNTING DIMENSIONS



FASTENER PATTERN SCALE 1 : 3

MODEL	A (FEET)	B (FEET)	C (FEET)	D (FEET)	HEAT ZONE* (SQUARE FEET)	HEAT DENSITY* (WATTS/SQUARE FEET)
SCOSYAW15120	6.6	8	8	10	70	18
SCOSYAW15240	6.6	8	8	10	70	18

HEAT DENSITY IS REDUCED BY 25% WHEN DE-RATED TO 208V

**SHORTWAVE INFRARED HEATERS FOR:**  
INDOOR USE - RESIDENTIAL, COMMERCIAL AND INDUSTRIAL  
OUTDOOR USE - RESIDENTIAL, COMMERCIAL AND INDUSTRIAL  
FOR USE IN NON-HAZARDOUS AREAS ONLY

<b>B1</b>	<b>2021-11-25</b>
REVISION	DATE: YYYY-MM-DD

# \*\*HEATER SPECIFICATIONS

DESCRIPTION	ITEM/ SKU	WEIGHT (LBS/KG)	120V / 240V						208V					
			POWER (WATTS)	VOLTAGE (VOLTS)	CURRENT (AMPS)	MINIMUM HEIGHT (INCH/cm) (Y1)	CEILING CLEARANCE (INCH/cm) (Y2)	SIDE WALL CLEARANCE (INCH/cm) (X)	POWER (WATTS)	VOLTAGE (VOLTS)	CURRENT (AMPS)	MINIMUM HEIGHT (INCH/cm) (Y1)	CEILING CLEARANCE (INCH/cm) (Y2)	SIDE WALL CLEARANCE (INCH/cm) (X)
COSY - 1500W / 120V	SCOSY15120*	5.1/2.3	1500	120	12.5	79/201	11.75/30	40/100	NOT APPLICABLE					
COSY - 1500W / 240V	SCOSY15240*	5.1/2.3	1500	240	6.3	79/201	11.75/30	40/100	1125	208	5.4	79/201	11.75/30	40/100



SHEET NO. 1 OF 1

**Solaira**  
The Architect and Engineers Choice

MODEL **SOLAIRA COSY**

SHEET SCALE 1:8 SHEET SIZE 11X17

SKU NOTES: \*SEE PRODUCT CATALOGUE FOR STANDARD COLOR OPTIONS. L1 DENOTES CANDEL LOW LIGHT LAMP. ALL HEATERS COME WITH STANDARD BRACKETS | \*\* SPECIFICATIONS SUBJECT TO CHANGE WITHOUT NOTICE

NOTICE: THIS DOCUMENT IS NOT A SUBSTITUTE FOR APPROVED MANUAL. Failure to follow instruction manual may cause fire, electric shock or injury to persons. Solaira™ is a registered trademark of Inforesight Consumer Products. Customer, contractor specifier and installer understands that some or all products provided by Inforesight Consumer Products Inc. may not be available for purchase or installation in certain jurisdictions or geographical areas. Inforesight Consumer Products Inc. reserves the right, in its sole discretion, to exclude or otherwise limit the provision of any product to a person or entity residing in any jurisdiction or geographical area outside of Canada. Inforesight Consumer Products Inc. provides general product installation guidelines and procedures and Customer, contractor, specifier and installer understands that Customer, contractor, specifier and installer is solely and exclusively responsible for installation of the product and ascertaining all applicable local municipal, provincial, state, and federal NEC (National Electrical Code) rules, by-law, ordinances and guidelines applicable to the installation of any Inforesight Consumer Products Inc. products. Customer contractor, specifier and installer must strictly adhere to and be compliant with the local rules, laws, ordinances and legal requirements for the safe installation and use of any Inforesight Consumer Products Inc. products. Instruction manuals are included with the product packaging and copies of our instruction manuals are available upon request. Under no circumstances shall Inforesight Consumer Products Inc. or its affiliated entities, employees, agents, shareholders, officers or directors be liable to Customer or any third party for any product installations and Customer, contractor, specifier and installer releases Inforesight Consumer Products Inc. from any and all losses, death, personal injury, property damage, other damages, rights, claims, demands and actions of any kind arising from the Customer's installation and use of the product, whether the installation was or was not in accord with the provided instruction manual and/or in compliance with applicable local laws. Solaira products are to be installed by licensed technicians per instruction manuals and to all provincial/state and national (N.E.C.) code requirements; specifications subject to change without notice.