


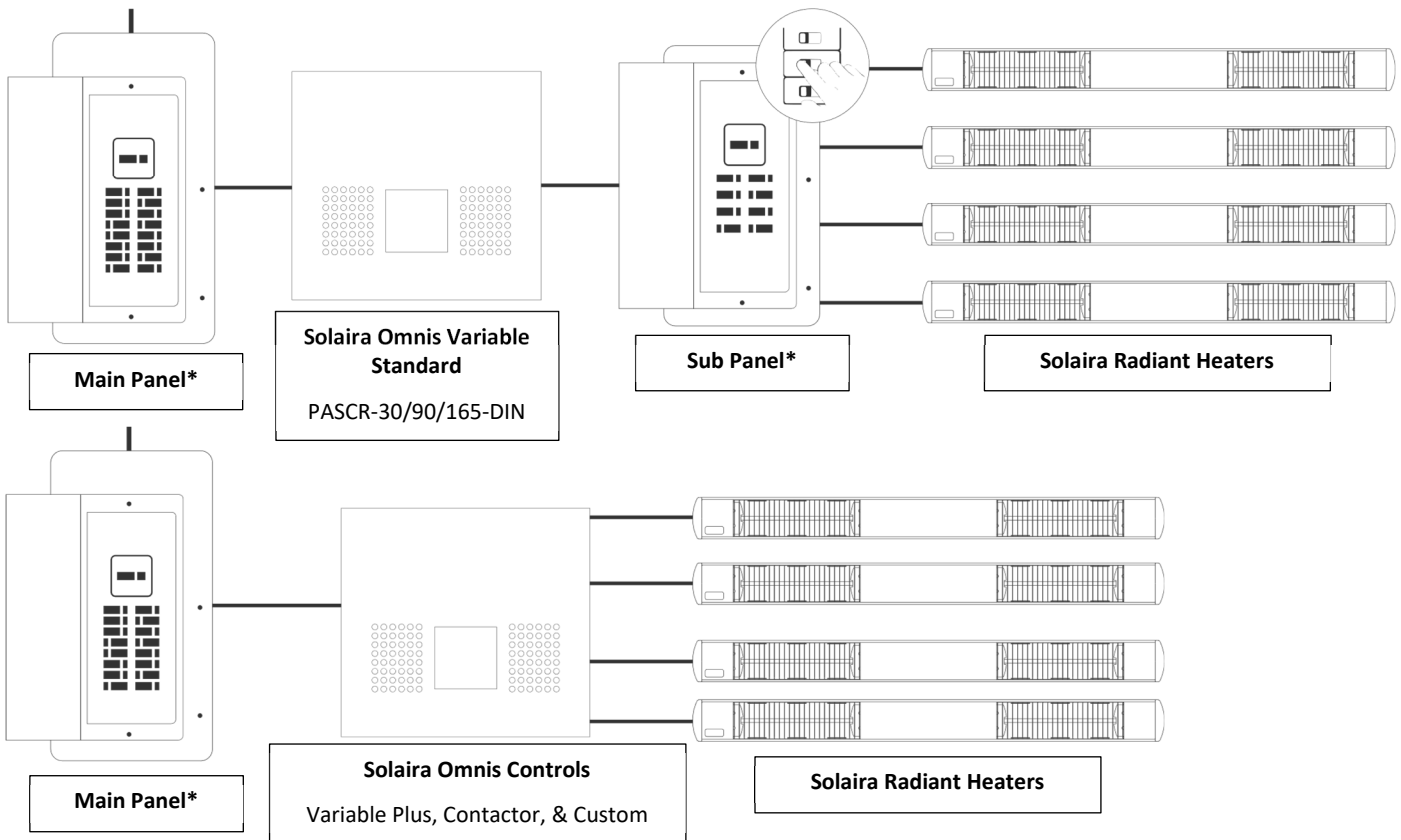


PROJECT NAME:		DATE:	
ADDRESS:			
ENGINEER:			
ARCHITECT:			
CONTRACTOR:			
SUBMITTED BY:			
APPROVED BY:			



The commercial Omnis Control Panel Series offers 3 control families: Variable, Contactor (On/Off), and Custom. All options can be paired with various accessories to meet any control needs.

 OMNIS VARIABLE	 OMNIS CONTACTOR	 OMNIS CUSTOM
<ul style="list-style-type: none"> <li>• Variable output</li> <li>• Single zone</li> <li>• Standard &amp; Plus Options</li> <li>• Accessories                             <ul style="list-style-type: none"> <li>○ (timers, occupancy sensors, Bacnet)</li> </ul> </li> </ul>	<ul style="list-style-type: none"> <li>• All On/ Off output</li> <li>• Single or multi zone</li> <li>• Accessories                             <ul style="list-style-type: none"> <li>○ (timers, occupancy sensors, Bacnet)</li> </ul> </li> </ul>	<ul style="list-style-type: none"> <li>• Either Variable or Contactor</li> <li>• Single or multi zone</li> <li>• Accessories                             <ul style="list-style-type: none"> <li>○ (timers, occupancy sensors, Bacnet)</li> </ul> </li> </ul>



\* Provided by others

Note: Above is for illustrative purposes only. Solaira Omnis Control must be installed by a certified electrician and follow all local and National Electrical Code requirements (NEC)

**OMNIS VARIABLE**

The Omnis Variable Control Series integrates advanced phase angle SCR technology with a variable DC control (0-10Vdc). The soft start and high inrush protection features enhance the system’s durability and your Solaira Heaters longevity, while the solid-state construction ensures long-term reliability.

PART NUMBER	PASCR30-1-DIN	PASCR90-1-DIN	PASCR90-1-PLUS	PASCR165-1-DIN	OMNIS-CUSTOM	
Quantity						
Max Amperage (A)	30	90	90	165	As Requested (Contact Solaira for Further Guidance)	
Input Voltage (V)	120/208/240/277*					
Input Phase	Single Phase					
Output Amperage (A)	0-100% Variable					
Output Voltage (V)	120/208/240/277*					
Output Phase	Single Phase					
Fused Output	No	No	Yes (4 x 30A – 2P)	No		
Zone Quantity	Single Zone					
Accessories Included	PASCR-POT	PASCR-POT	PASCR-POT, PSST-MAXTIM	PASCR-POT		
Home Automation Integration	Yes	Yes	Yes	Yes		
Enclosure Rating	NEMA 1					
Certification	UL508/CSA					
Panel Dimension	16”H x 16”W x 6.25”D	16”H x 16”W x 6.25”D	20”H x 20”W x 12.25”D	20”H x 20”W x 12.25”D		
Clearances	A minimum side clearance of 3” (0.08m), front clearance of 39” (1m), and 12” (0.3m) above/below fans must be maintained on all installations. Must be installed in a dry, well-ventilated area.					

Refer to Solaira Omnis Reference Manual for all installation guidelines and restrictions.

\* Refer to Solaira Omnis Reference Manual for 277V Transformer Wiring Diagram.

**OMNIS CONTACTOR (ON/OFF)**

The Omnis Contactor Control Series offers simple on/off control and protection for the downstream load. The customizable controllability and overcurrent protection features enhance the system’s durability and extends your Solaira Heaters lifespan, while the solid-state construction ensures long-term reliability.

Control / Accessory Voltage (V)	24V	CONT2-24-PLUS	CONT4-24-PLUS	CONT6-24-PLUS	OMNIS-CUSTOM
	120V	CONT2-120-PLUS	CONT4-120-PLUS	CONT6-120-PLUS	
Quantity					As Requested (Contact Solaira for Further Guidance)
Contactors		2 x 30A	4 x 30A	6 x 30A	
Max Input Amperage (A)		50	100	150	
Input Voltage (V)	208/240/277/347				
Input Phase	Single Phase				
Output Amperage (A)	0 or 100% (ON/OFF)				
Output Voltage (V)	208/240/277/347				
Output Phase	Single Phase				
Fused Output		2 x 30A (2P)	4 x 30A (2P)	6 x 30A (2P)	
Zone Quantity	Single or Multi Zone				
Home Automation Integration		Yes	Yes	Yes	
Enclosure Rating	NEMA 1				
Certification	UL508/CSA				
Panel Dimension		24”H x 20”W x 4.6”D	24”H x 20”W x 4.6”D	32”H x 24”W x 4.6”D	
Clearances	A minimum side clearance of 3” (0.08m), front clearance of 39” (1m), and 12” (0.3m) above/below fans must be maintained on all installations. Must be installed in a dry, well-ventilated area.				

Refer to Solaira Omnis Reference Manual for all installation guidelines and restrictions.

**ACCESSORIES**

**VARIABLE & CONTACTOR (24V)**

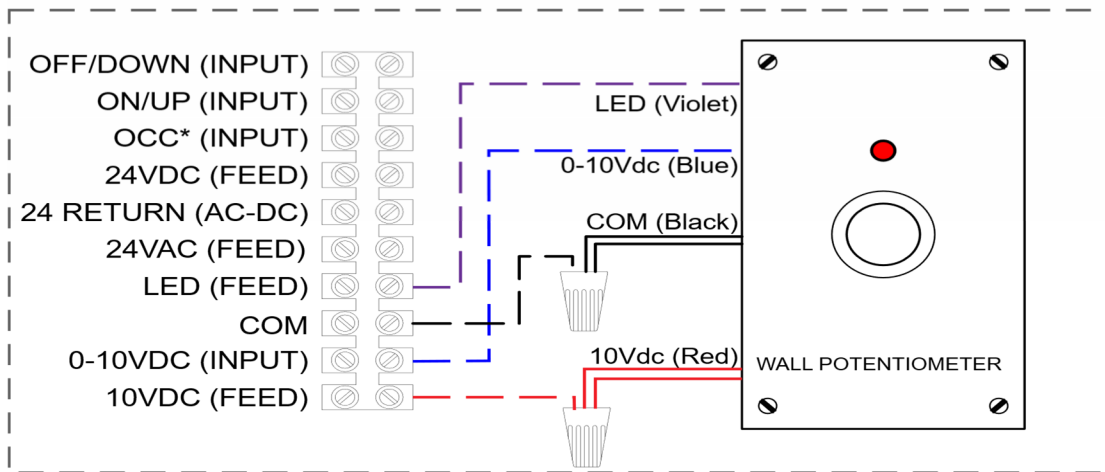
Qty	Model Number	Description	Notes
	PASCR-POT	OMNIS Low Voltage Potentiometer, 100k	Included with all Omnis Variable Models
	PSST-MAXTIM	OMNIS Multifunctional Input Timer	Included in PASCR90-1-PLUS
	PSST-BACNET	OMNIS BACnet MSTP Gateway with Digital Input (BMS Integration)	
	PSST-BACIP	OMNIS BACnet IP Networking (BMS Integration)	Requires PSST-BACNET
	PSW-1BW	OMNIS One Button Decora Switch	Requires PSST-MAXTIM or PSST-BACNET
	PSW-2BW	OMNIS Two Button Decora Switch	Requires PSST-MAXTIM or PSST-BACNET
	PSW-OS	OMNIS Occupancy Sensor	Requires PSST-MAXTIM or PSST-BACNET
	PSW-THERMV2	OMNIS Adjustable Thermostat	
	PSW-THERMV3	OMNIS Adjustable Temperature Lockout	
	PSW-RTS	Indoor Temperature Remote Sensor (10° to 30°C)	Requires PSW-THERMV2 or PSW-THERMV3
	PSW-RTSO	Outdoor Temperature Remote Sensor (-50° to 50°C)	Requires PSW-THERMV2

Refer to Solaira Omnis Reference Manual for all installation guidelines and restrictions.

**POTENTIOMETER**

The Omnis PASCR-POT is a stainless-steel wall mount potentiometer (Dimmer) suited for SCR controls to regulate the heaters output (0-100%), designed to fit into a standard junction box. It includes an LED status indicator that can be connected to the control signal or PSST-MAXTIM. Junction box not included.

**0-10V POTENTIOMETER WIRING W/ PSST-MAXTIM**



**MULTIFUNCTIONAL TIMER**

The Omnis PSST-MAXTIM is a DIN Rail add on module for Solaira Omnis Controls to allow for additional control accessories. It also provides soft start and timer options including last level on and preset timer module (1min to 8hr). Included with PASCR-90-PLUS.

### HOME AUTOMATION/BUILDING MANAGEMENT SYSTEM

OMNIS controls also have the ability to integrate with various Home Automation System's (Lutron, Crestron, Control 4, etc) through 0-10 Vdc (Variable) and 24V or 120V (Contactor), standard on all Omnis Models. Typical wiring diagrams available upon request.

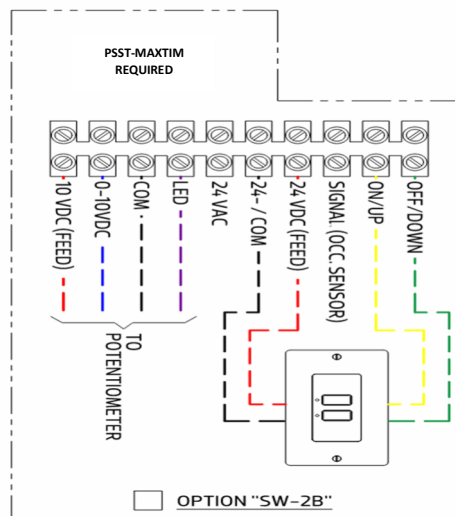
The DIN rail Omnis BACnet modules for custom controls are designed to control Omnis output using a BACnet network protocol. Contact Solaira for more information.

1. PSST-BACNET: Integrates to building's BACnet (MSTP) system over RS-485 serial wiring.
2. PSST-BACIP: Integrates to building's BACnet system using standard IP networking. Requires PSST-BACNET module.

### DECORA SWITCH

The Omnis PSW-BW is a wall mount low momentary switch that allows users to operate heaters as per their preset timer settings. Requires PSST-MAXTIM or SMMRTT60-RMT controls. Junction box not included.

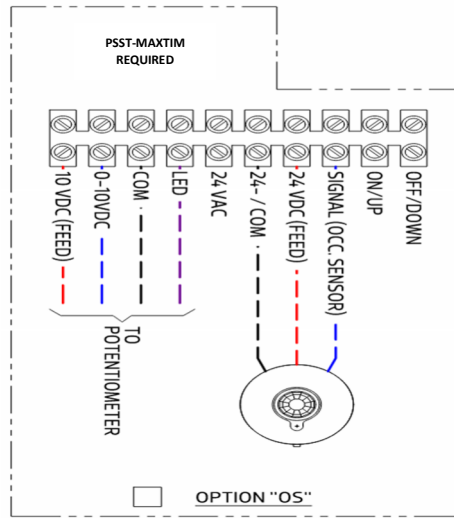
1. PSW-1BW: ON/UP – will turn off based on pre-set timer.
2. PSW-2BW: ON/UP and OFF/DOWN – pre-set timer can be overwritten by switches.



**ELECTRIC CONTROL PANEL**

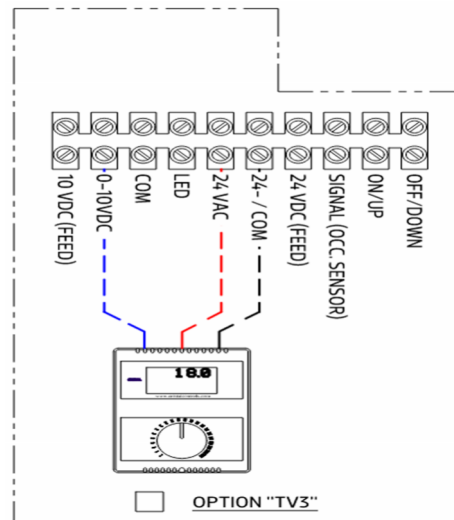
**OCCUPANCY SENSOR**

The Omnis PSW-OS is a ceiling mount occupancy sensor. The detection area is up to 2000 sqft. and suited for indoor use of a specified zone using ultrasonic technology (Outdoor option available). Requires PSST-MAXTIM.



**THERMOSTAT**

The Omnis PSW-THERMV3 is an indoor wall mount thermostat that regulates the heater output to maintain a desired temperature. It also has an RS-485 communication port to support the protocol BACnet with both indoor and outdoor remote sensor accessories available.



**TEMPERATURE LOCKOUT**

The Omnis PSW-THERMV2 is an indoor wall mount temperature lockout that prevents the heaters from operating when the ambient temperature falls outside of the preset limits. It also has an RS-485 communication port to support the protocol BACnet with both indoor (RTS) and outdoor (RTSO) remote sensor accessories available. Refer to Thermostat wiring diagram for installation instructions (Blue 0-10Vdc cable not required).

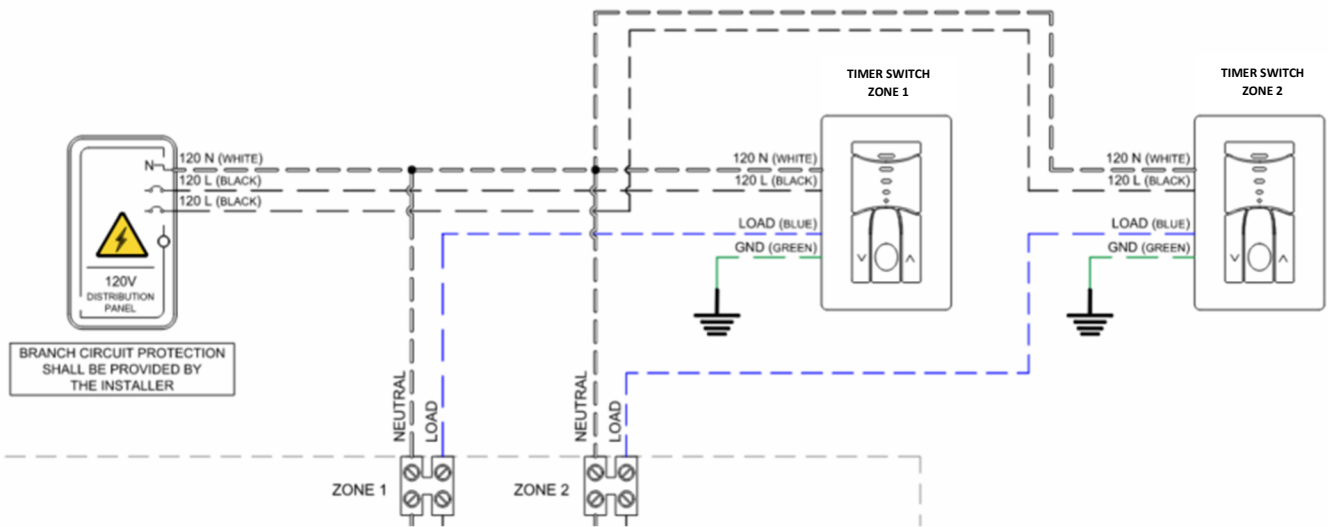
**CONTACTOR (120V)**

Qty	Model Number	Description	Notes
	PSW-120-MAXTIM	OMNIS Wall Switch with Timer	
	PSW-120-WS	OMNIS Decora Wall Switch	
	PSW-120-LOT	OMNIS Lockout Timer	Requires the PSW-120-WS
	PSW-120-OS	OMNIS Occupancy Sensor	Requires the PSW-120-WS

Refer to Solaira Omnis Reference Manual for all installation guidelines and restrictions.

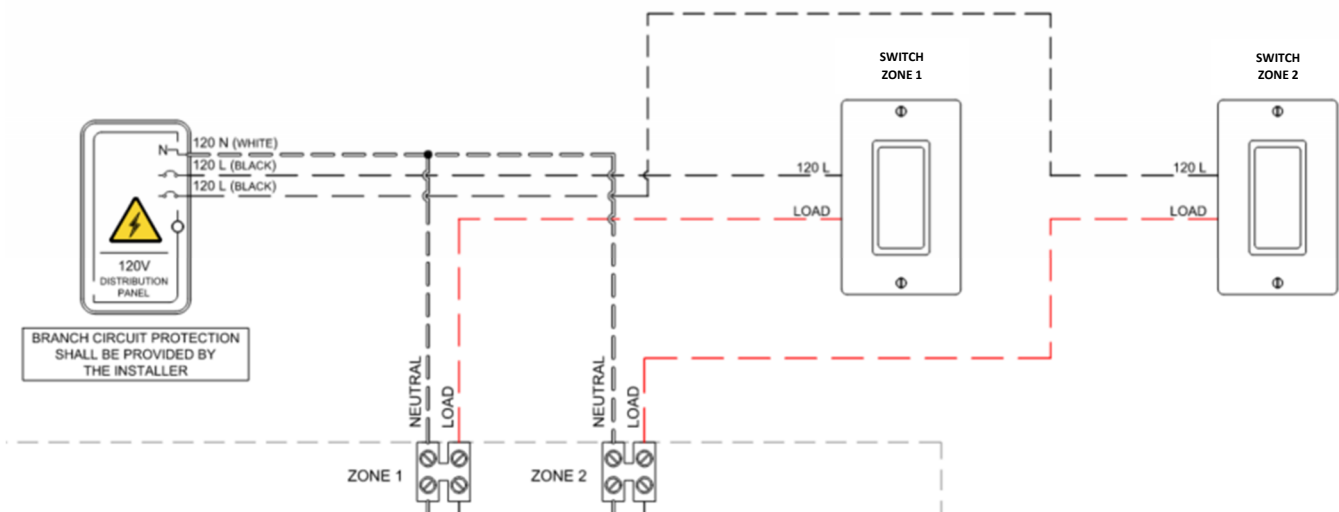
**TIMER SWITCH**

The Omnis PSW-120-MAXTIM is a wall mount low momentary switch with a built-in timer (15-60 mins or 1-12 hr) allowing users to manually turn heaters on and the preset timer controlling the shut off.



**WALL SWITCH**

The Omnis PSW-120-WS is a wall mount switch that allows users to manually operate their heater (ON and OFF). Can be integrated with various home automation systems and junction box not included.

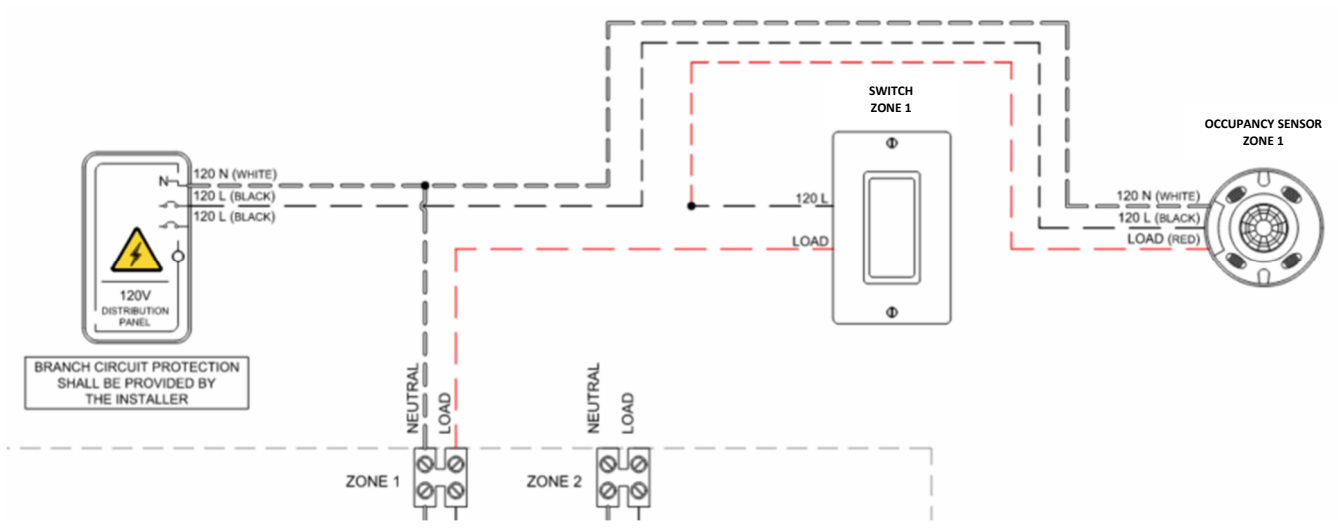


**LOCKOUT TIMER**

The Omnis PSW-120-LOT is a wall mount timer that allows users to temporarily disable the system for a set period (1-12 hr) preventing use of the heater during an unwanted timeframe. Refer to Timer Switch wiring diagram for installation.

**OCCUPANCY SENSOR**

The Omnis PSW-120-OS is a ceiling mount occupancy sensor with a delayed off time (15s to 60min). The detection area is up to 2000 sqft. and suited for indoor use of a specified zone using ultrasonic technology (Outdoor option available).



***ENGINEER AND ARCHITECT SHORT FORM SPECIFICATION***

Controls shall be CSA listed and certified to UL508 with CSA seal and certification number clearly visible. Controls model number and specifications (capacities, voltages, and all accessories) should be indicated on the heater schedule/drawing plans.

**OMNIS Variable:**

OMNIS Variable Controls must use phase angle SCR technology with a variable DC control (0-10Vdc). It also must include soft start and high inrush protection features enhancing the system's durability, while maintaining a solid-state construction. Install indoors in a dry, well-ventilated area – Engineer/Contractor to confirm wire sizing and run lengths. Provide Solaira's OMNIS custom control for all multi-zone applications.

**OMNIS Contactor:**

OMNIS Contactor Controls must include one to one contactor distribution and overcurrent protection features enhancing the system's durability, while maintaining a solid-state construction. Install indoors in a dry, well-ventilated area – Engineer/Contractor to confirm wire sizing and run lengths.

**Accessories:**

POTENTIOMETER: PROVIDE 0-100% LOW VOLTAGE POTENTIOMETER

TIMER: PROVIDE SOLAIRA OMNIS MULTIFUNCTIONAL INPUT TIMER WITH TIMED SAFETY SHUTOFF

BACNET: PROVIDE SOLAIRA OMNIS CONTROL WITH BACNET MSTP FOR BMS INTEGRATION

BACNET IP: PROVIDE SOLAIRA OMNIS CONTROL WITH BACNET IP FOR BMS INTEGRATION

DECORA SWITCH: PROVIDE SOLAIRA OMNIS DECORA SWITCH FOR SIMPLE ON/OFF CONTROL

OCCUPANCY SENSOR: PROVIDE SOLAIRA OMNIS OCCUPANCY SENSOR

TEMPERATURE LOCKOUT: PROVIDE SOLAIRA OMNIS TEMPERATURE LOCKOUT

THERMOSTAT: PROVIDE SOLAIRA OMNIS THERMOSTAT

REMOTE TEMP. SENSOR: PROVIDE SOLAIRA OMNIS REMOTE TEMPERATURE SENSOR. INDOOR AND OUTDOOR OPTIONS AVAILABLE.

NOTICE: This illustration is provided for submittal and reference purposes only and is not a substitute for the approved installation manual. Final installation must be performed by licensed professional in compliance with all applicable local and national electrical codes, including the NEC. Inforesight Consumer Products Inc. accepts no responsibility for improper installation or use. Complete installation instructions are included with each product and available upon request. Product specifications are subject to change without notice. Inforesight Consumer Products Inc. use terms and conditions may be reviewed at <https://www.solairaheaters.com/privacy-policy/>

Solaira™ is a registered trademark of Inforesight Consumer Products Inc.

125 Traders Blvd. # 4, Mississauga, Ontario, Canada, M4Z 2H3

Tel: 905-568-7655, EXT23 SERVICE, Fax:905-568-7521

[info@solairaheaters.com](mailto:info@solairaheaters.com)