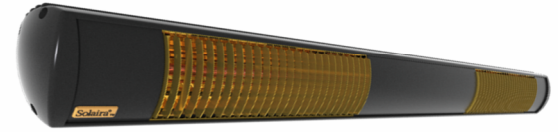


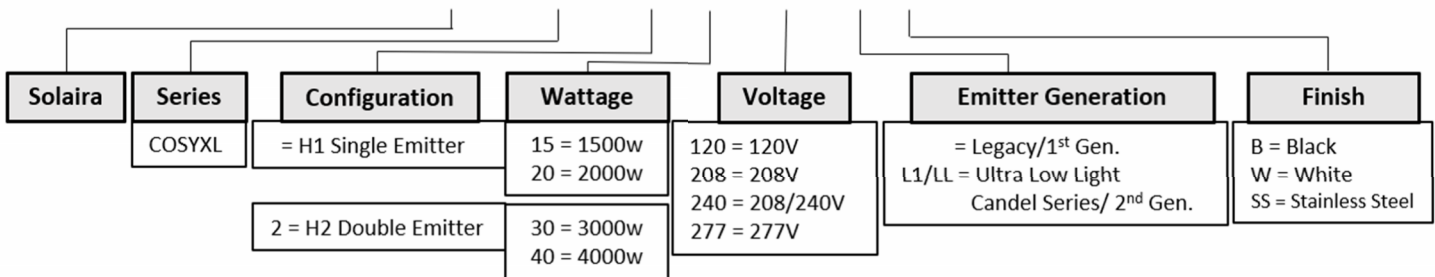
PROJECT NAME:		DATE:	
ADDRESS:			
ENGINEER:			
ARCHITECT:			
CONTRACTOR:			
SUBMITTED BY:			
APPROVED BY:			



Certified to UL2021 and
CSA 22.2 46-13



S COSYXL 2-40 240 L1 B



Qty	Tag	Description	Model Number	Finish	# of Emitters	Wattage	Voltage	Amperage	BTUs
		XL H1 – 1500W / 120V	SCOSYXL-15120L1	B W SS	1	1500	120	12.5	5100
		XL H1 – 1125W / 208V	SCOSYXL-15240L1	B W SS	1	1125	208	5.4	3825
		XL H1 – 1500W / 208V	SCOSYXL-20240L1	B W SS	1	1500	208	7.2	5100
		XL H2 – 2250W / 208V	SCOSYXL2-30240L1	B W SS	2	2250	208	10.8	7675
		XL H2 – 3000W / 208V	SCOSYXL2-40240L1	B W SS	2	3000	208	14.4	10225
		XL H2 – 4000W / 208V*	SCOSYXL2-40208L1*	B W SS	2	4000	208	19.2	13650
		XL H1 – 1500W / 240V	SCOSYXL-15240L1	B W SS	1	1500	240	6.3	5100
		XL H1 – 2000W / 240V	SCOSYXL-20240L1	B W SS	1	2000	240	8.3	6825
		XL H2 – 3000W / 240V	SCOSYXL2-30240L1	B W SS	2	3000	240	12.5	10250
		XL H2 – 4000W / 240V	SCOSYXL2-40240L1	B W SS	2	4000	240	16.7	13650
		XL H1 – 2000W / 277V	SCOSYXL-20277	B W SS	1	2000	277	7.2	6825
		XL H2 – 4000W / 277V	SCOSYXL2-40277	B W SS	2	4000	277	14.4	13650

* CETL – SPE1000 CAN Inspected.

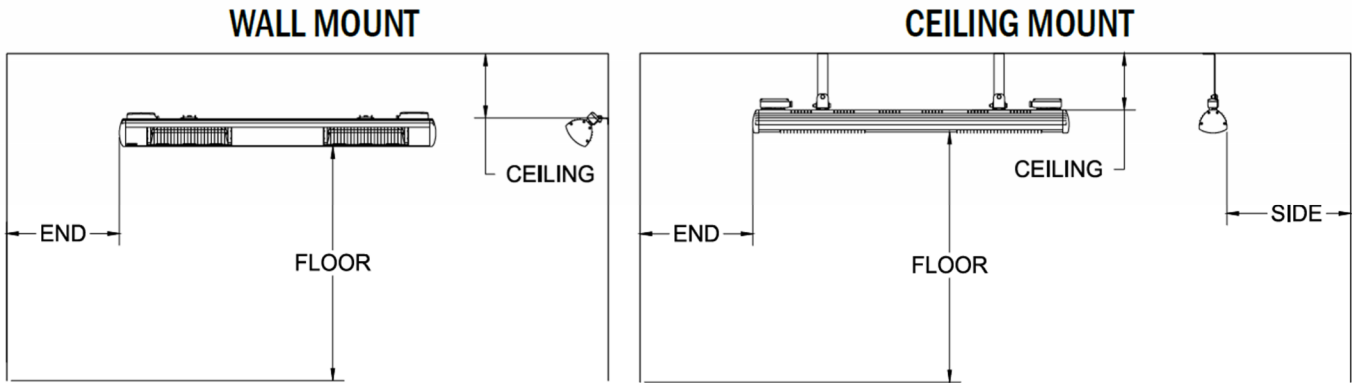
ACCESSORIES

Qty	Model Number	Finish	Description	Notes
Accessories:				
	SCOSYXL-CEILBKT	B W SS	Solaira 8.75" Ceiling Mount Brackets (1 Included)	Required for all ceiling mount applications
Refer to Solaira Controls Submittal Data Sheet for all Controls Equipment.				

CONTROLS

Refer to Solaira Controls Submittal Data Sheet for all Controls Equipment.

CLEARANCE REQUIREMENTS & MOUNTING CONFIGURATIONS

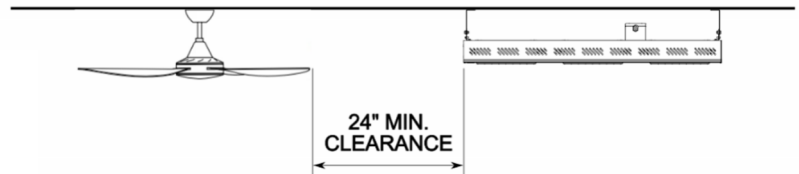


Heater		Clearances		
Description	Model Number	Minimum Mounting Height (Inch [cm])	Ceiling Clearance (Inch [cm])	Side Wall Clearance (Inch [cm])
XL H1 – 120V	SCOSYXL-15120L1	79 [200]	11.75 [30]	39.5 [100]
XL H1 – 208/240V	SCOSYXL-15240L1	79 [200]	8.75 [22]	17 [43]
XL H1 – 208/240V	SCOSYXL-20240L1	79/94.5 [200/240]	8.75 [22]	17/25 [43/64]
XL H2 – 208/240V	SCOSYXL2-30240L1	94.5 [240]	8.75 [22]	17 [43]
XL H2 – 208V	SCOSYXL2-40208L1	94.5 [240]	8.75 [22]	25 [64]
XL H2 – 240V	SCOSYXL2-40240L1	94.5 [240]	8.75 [22]	17/25 [43/64]
XL H1 – 277V	SCOSYXL-20277	94.5 [240]	8.75 [22]	25 [64]
XL H2 – 277V	SCOSYXL-40277	94.5 [240]	8.75 [22]	25 [64]

Refer to Solaira XL Reference Manual for all installation guidelines and restrictions.

CEILING FAN CLEARANCE REQUIREMENTS

- Always maintain 24" clearance between heater and ceiling fans.
- When ceiling fan is dropped below front face of the heater, always maintain 24" between edge of the beam pattern and ceiling fans.
- Refer to Ceiling Fan Clearance Document for additional info.

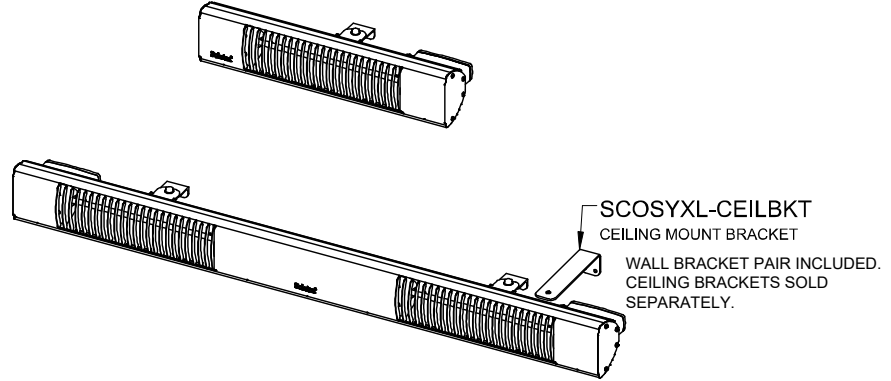
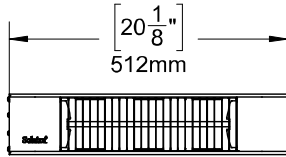
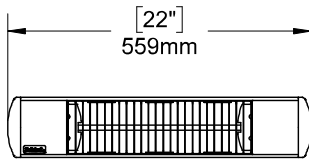


SOLAIRA XL SLIM SERIES

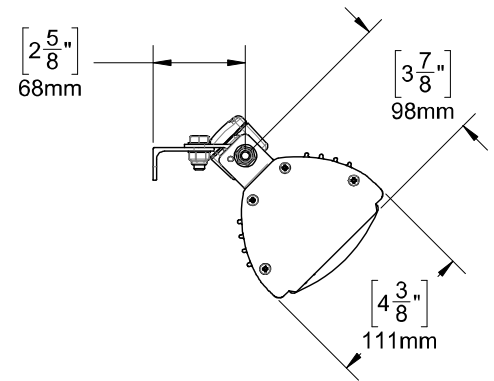
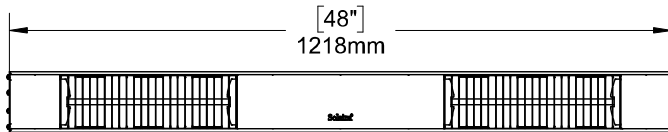
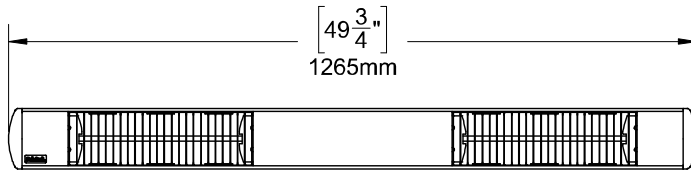
ELECTRIC RADIANT HEATERS

SUBMITTAL SHEET

H1 HEATER Single Emitter



H2 HEATER Double Emitter



HEATER SPECIFICATIONS

Heater Body	Aircraft Grade Extruded Aluminium
Weight (H1, H2)	6.6lbs, 13.2lbs
Emitter	Solaira Candle Ultra Low Light Emitter
Reflector	Gold Anodized Mirror Polished Aluminium
Emitter Guard	Nickel Dipped Carbon Steel Wire Cage
Ingress Protection	IP-55 Resistance for Low Pressure Water Jets
Power Supply	High Temperature Silicone Leads (6'7" / 2.0m) per element

COVERAGE PATTERNS

HEATER	MODEL NO.	COVERAGE WHEN MOUNTED AT (ft [m])	WIDTH (ft [m])	DEPTH (ft [m])	AVERAGE HEAT DENSITY (W/ FT²)
XL H1 – 1500W	SCOSYXL-15120/15240	8 [2.4]	7.5 [2.3]	4.5 [1.4]	17
XL H1 – 2000W	SCOSYXL-20240/20277	8 [2.4]	9 [2.7]	5.5 [1.7]	17
XL H2 – 3000W	SCOSYXL-30240	8 [2.4]	11.5 [7]	7 [2.1]	20
		10 [3.1]	11.5 [3.5]	6 [1.8]	16
XL H2 – 4000W	SCOSYXL-40208/40240/40277	8 [2.4]	12.5 [3.8]	8.5 [2.6]	22
		10 [3.1]	13.5 [4.1]	8 [2.4]	17

ENGINEER AND ARCHITECT SHORT FORM SPECIFICATION

Heaters shall be cCSAus listed and certified to UL2021, 3rd edition and CSA 22.2 46-13 with CSA seal and certification number clearly visible on back of radiant heater. Heater model number and capacities, voltages, wattages, and all accessories should be indicated on the heater schedule.

Fixture Construction Heater shall be constructed with 2mm 6063 aircraft grade, extruded, polyester powder coated aluminum. Heater shall be rated IP55 or greater to protect against dust limited ingress and low-pressure jets of water from all directions. Accessories and all threaded hardware shall be stainless steel, Heater end caps shall be constructed from die cast aluminum with air vents for heat shedding. Heaters shall be serviceable from the front face while installed, the operator shall be able to replace the emitter bulb after its terminated life.

Junction Boxes Heaters shall come with IP55 Rated weatherproof junction boxes for each emitter, with single phase wiring capability. Electrical terminations shall be made in a high strength, high temperature resistant PA 66 watertight box complete with silicone gasket and self tapping stainless steel and will be attached to the heater body.

Emitters Shall be 11mm in diameter and provide shortwave wavelengths between 1000-1300nm to convert and deliver 92% radiant efficiency. Emitters will be manufactured utilizing tubular quartz with tungsten coil and shall be coated for glare reduction, known as Standard Low Glare or Ultra Low Glare Candel™, to reduce light output by minimum 40%. Emitter coil temperatures shall reach minimum 2200°C during operation.

Reflectors Shall be constructed of 0.8mm gold anodized aluminum, 87% reflectivity. Reflectors shall provide a distribution pattern angle of 30 degrees.

Control: All controls are accessories and should be specified project specific. Please consult technical sales when determining suitable controls for your application.

Accessories: XL Mount Kit for ceiling mount applications, Omnis Controls, Thermostats, Occupancy Sensors, Timers.

Specification subject to change without notice.

For detailed specifications please download the Solaira 3 Part Guide Specification available at www.solairaheaters.com

Due to ongoing product improvements, specifications and dimensions are subject to change without notice and without incurring obligations. Inforesight Consumer Products Inc. use terms and conditions may be reviewed at: <https://www.solairaheaters.com/privacy-policy/>

Solaira™ is a registered trademark of Inforesight Consumer Products Inc.

125 Traders Blvd. # 4, Mississauga, Ontario, Canada, M4Z 2H3

Tel: 905-568-7655, EXT23 SERVICE, Fax:905-568-7521

info@solairaheaters.com