

MALIBU SERIES

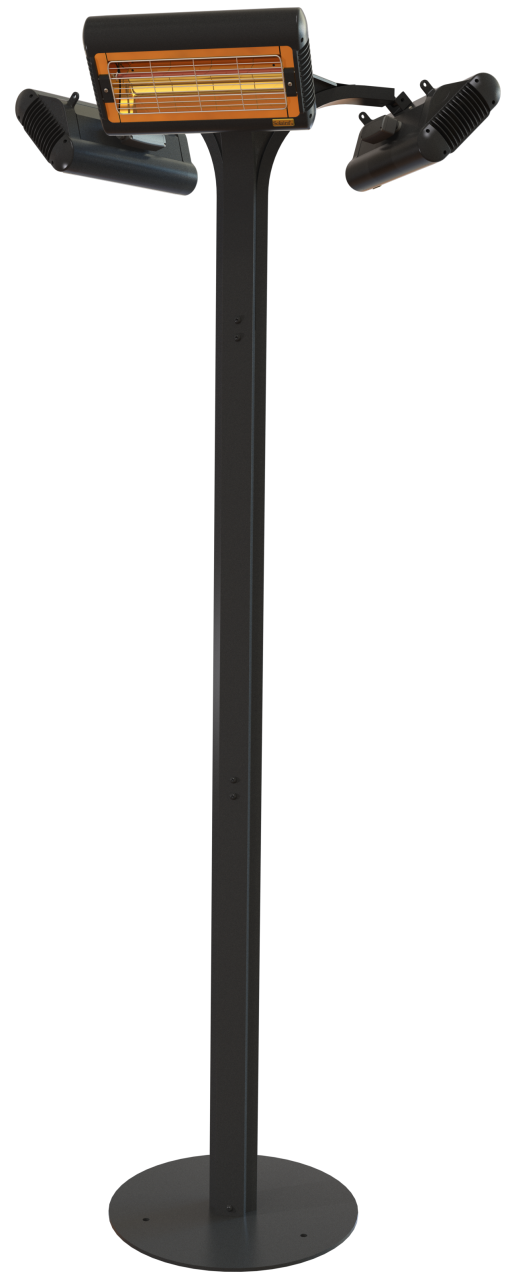
The Solaira^o™ Malibu series is a fixed location post heater^o powered by three Alpha series heaters. Alpha series heaters produce short wavelength infrared heat—86% of consumed energy is transferred into instant, controllable, directional heat. Shortwave infrared heating technology is not affected by wind and warms people and objects—not the air between. The Malibu series allows specifying engineers to place heaters in locations without walls or ceilings to mount heaters on. Heaters can be adjusted and directed heating loads based on area requirements.

KEY FEATURES

- Up to 6000W / 20,500 BTU per unit
- IP55 Weather protection for fully exposed environments
- Ultra Low Light Infrared emitters and gold polished radiant reflectors
- Fully adjustable mounting brackets included
- Control systems for all applications—from simple stand-alone wall control to full BMS smart home integration: 0-10v, 4-20mA, BACnet input capability



CERTIFIED TO
UL 2021—Electric Air Heaters
CSA 22.2 No.46-13—Electric Air Heaters



COMMERCIAL

DRIVEN BY ENGINEERING, DESIGN AND PERFORMANCE.

LEARN MORE AT WWW.SOLAIRAHEATERS.COM



CERTIFIED TO
UL 2021
CSA 22.2 No.46-13

Solaira^o

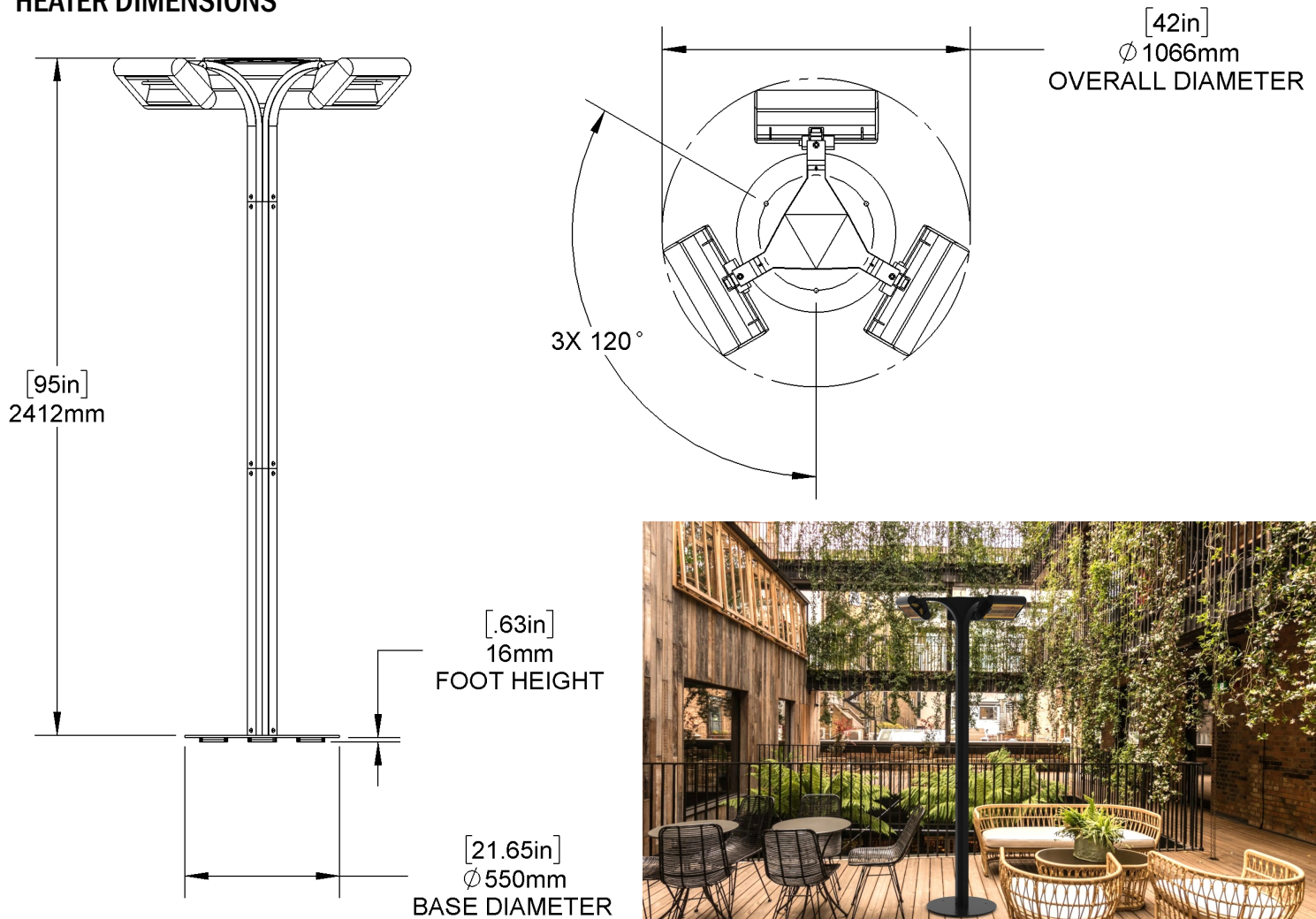
The Architect and Engineers Choice

TECHNICAL DATA

MODEL	BTU's	WATTS	VOLTS	AMPS	INPUT POWER	WEIGHT	REPLACEMENT EMITTER
MAL60240L1B [BLACK]	20460	6000	240	25.0	208-240 VAC 50/60 Hz 1Φ	92lb (41.5Kg)	SWIRE20240-L1
	15345	4500	208	21.6			

HEATERS RATED FOR 240V ARE APPROVED TO BE USED ON 208V CIRCUITS. HEATER OUTPUT WILL BE REDUCED BY APPROXIMATELY 25%.

HEATER DIMENSIONS



NOTE: FIXED LOCATION HEATER. DETAILED BASE MOUNTING DIAGRAM AVAILABLE.



HEATER CONSTRUCTION

POST ASSEMBLY	HEATER BODY	EMITTER	REFLECTOR	EMITTER GUARD	INGRESS PROTECTION
Aircraft Grade extruded aluminum	Aircraft Grade extruded aluminum	Solaira° Candel ultra low light emitter	Gold Anodized mirror polished aluminum	Nickel dipped Carbon Steel wire cage	IP-55 resistance for low pressure water jets

DRIVEN BY ENGINEERING, DESIGN AND PERFORMANCE.

SOLAIRA™ is a registered trademark of Inforesight Consumer Products Inc.

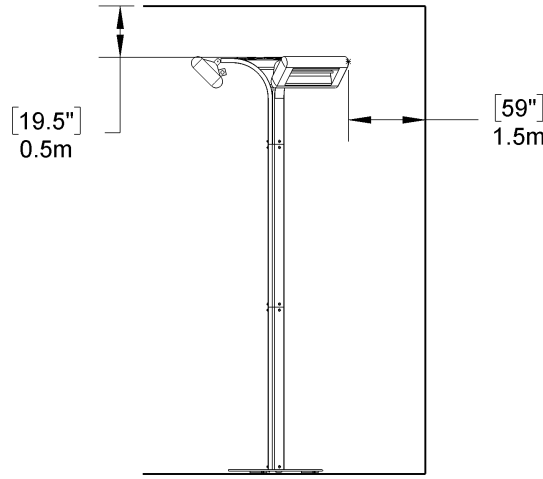
Mississauga, Ontario, Canada

web: www.solairaheaters.com

Ph: 905-568-7655

Email: info@solairaheaters.com

HEATER CLEARANCES

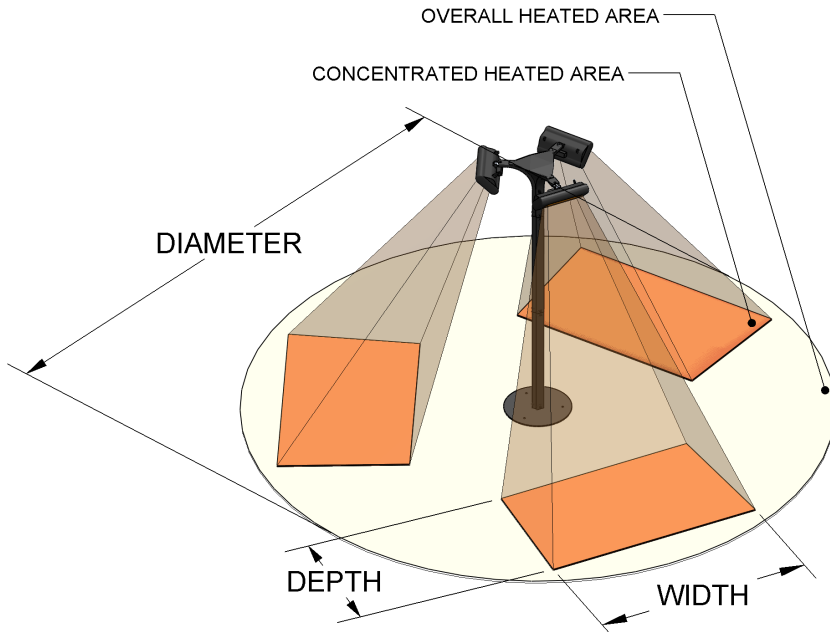


NOTE: DO NOT POINT HEATER DIRECTLY AT SIDE WALL. MINIMUM 6' FRONTAL CLEARANCE TO FLAMMABLE OBJECTS.

HEATER COVERAGE PATTERNS

MALIBU								
MODEL	VOLTAGE	POWER	MOUNTING HEIGHT	OVERALL HEATED AREA		CONCENTRATED HEATED AREA		
				DIAMETER	AVERAGE HEAT DENSITY	WIDTH	DEPTH	CONCENTRATED HEAT DENSITY
MAL60240L1B	@ 240V	6000W	8' (2.4m)	16' (4.9m)	12 W/ft ²	6' (1.8m)	3.5' (1.1m)	22 W/ft ²
	@ 208V	4500W	8' (2.4m)	14.5' (4.4m)	10 W/ft ²	5.5' (1.7m)	3.3' (1m)	17 W/ft ²

NOTE: Heat density reduced by 25% when 240V heaters are used on 208V



CONTROLS

ON / OFF CONTROL

SMART Timer Controller SMRTTIM60—25A



SMART Occupancy Controller SMRTOCC60—25 A



VARIABLE OUTPUT CONTROL

SMART Series Controller SMART34-DV—34A



FEATURES

- Variable output
- Dual Voltage
- IP 65 ingress protection
- Onboard temperature monitor (SMaRT 34 only)
- cETL SPE 1000 Canada Inspected

SMaRT Accessories

Part Number	Description
SM-WSD	Wall Switch
SMRTVRMT	Handheld IR Remote Control
SMRTVTEM-R	Remote Temperature Monitor
SMRTVOCC	Occupancy sensor

OMNIS Series Controller

PASCR30-1-DIN—30A
PASCR90-1-DIN—90A
PASCR165-1-DIN—165A



FEATURES

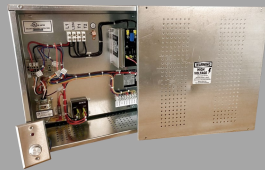
- Single Zone, Single phase, sized by Amperage
- Inputs for BMS and home automation control 0-10DCv/4-20mA
- Lutron, Crestron, Control 4 ready
- Included Potentiometer for 100% controllability
- Breaker sub-panel by others as required

OMNIS Accessories

Part number	Description
PSST-MAXTIM	Gateway Timer (adds timer capability)
PSW-2BW	2 button Decora switch*
PSW-OS	Occupancy Sensor*
PSW-THERMV3	Adjustable Thermostat

*requires PSST-MAXTIM

OMNIS Custom Controller Unlimited—CONTACT SALES REP



FEATURES

- Single zone or multi zone
- Single phase or 3 phase systems
- Individually fused inputs and outputs
- BMS, BACnet Ready 0-10DCv/4-20mA Input
- Lutron, Crestron, Control 4 ready

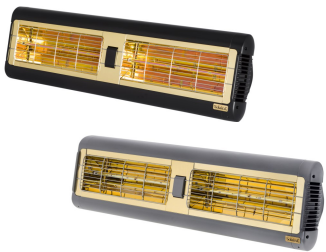
OMNIS Accessories

Part number	Description
PSST-MAXTIM	Gateway Timer (adds timer capability)
PSW-2BW	2 button Decora switch*
PSW-OS	Occupancy Sensor*
PSW-THERMV3	Adjustable Thermostat

*requires PSST-MAXTIM

ALTERNATE POST OPTIONS

ALPHA H2 SHOWN (UP TO 4000W) H3 (UP TO 6000W) AVAILABLE



ALPHA SERIES HEATER

SALPHA2-40240B [BLACK]
SALPHA2-40240G [ANTIQUE GREY]



CENTER MOUNT BRACKET

SALPMHH2-B [BLACK]
SALPMH2-G [ANTIQUE GREY]



SOLAIRA[®] ARCHITECTURAL POST

SP100-G | SP100-B [ANTIQUE GREY | BLACK]
SP80-G | SP80-B [ANTIQUE GREY | BLACK]

*HEATER SOLD SEPARATELY, REQUIRES CENTER MOUNT BRACKET
*MINIMUM ORDER QTY APPLIES

CERTIFICATION



CERTIFIED TO
UL 2021—Electric Air Heaters
CSA 22.2 No.46-13—Electric Air Heaters

DUE TO OUR POLICY OF ONGOING IMPROVEMENT, WE RESERVE THE RIGHT TO MAKE CHANGES TO SPECIFICATIONS WITHOUT NOTICE.

WARRANTY

FIXTURE: 3 years - workmanship and materials

EMITTER BULB: 1 year—workmanship and materials