

ACCESSORIES

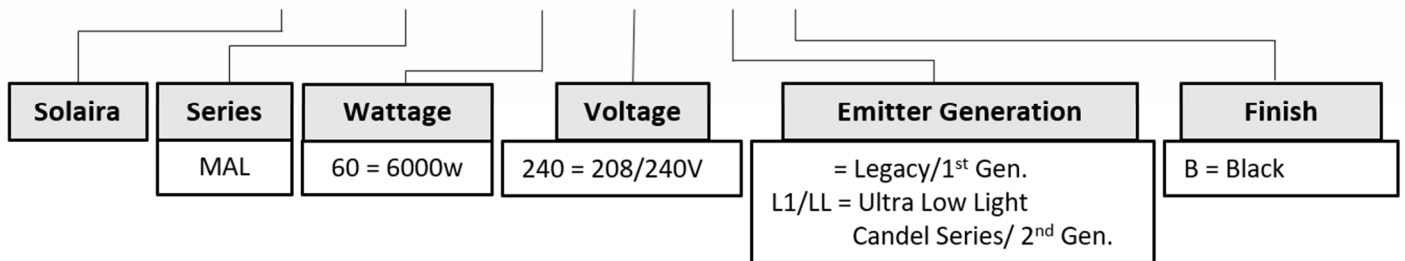
PROJECT NAME:		DATE:	
ADDRESS:			
ENGINEER:			
ARCHITECT:			
CONTRACTOR:			
SUBMITTED BY:			
APPROVED BY:			



Certified to UL2021 and
CSA 22.2 46-13

*Heaters only. Post assembly
tested for water ingress
protection.

S MAL - 60 240 L1 B



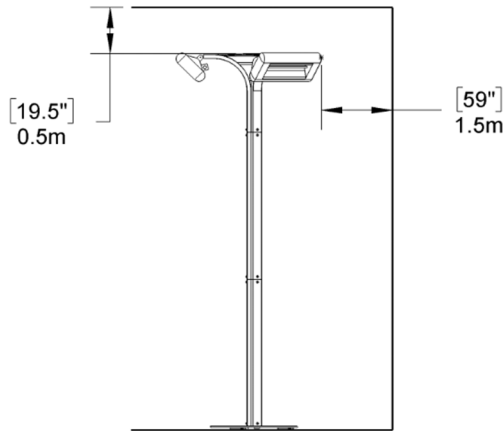
Qty	Tag	Model Number	Finish	Description	# of Emitters	Wattage	Voltage	Amperage	BTUs
		SMAL-60240L1B	B	Malibu - 4500W / 208V	3	4500	208	21.6	15345
		SMAL-60240L1B	B	Malibu - 6000W / 240V	3	6000	240	25	20460

Refer to Solaira ALPHA Submittal Data Sheet for alternative post options and Solaira Controls Submittal Data Sheet for all Controls Equipment.

CONTROLS

Refer to Solaira Controls Submittal Data Sheet for all Controls Equipment.

CLEARANCE REQUIREMENTS & MOUNTING CONFIGURATIONS



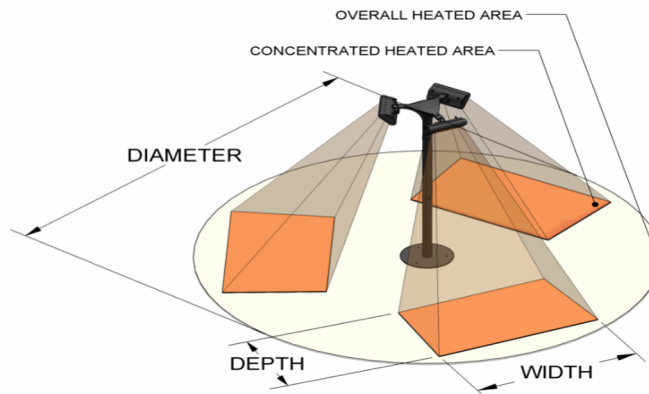
Heater		Clearances		
Description	Model Number	Minimum Mounting Height (Inch [cm])	Ceiling Clearance (Inch [cm])	Side Wall Clearance (Inch [cm])
Malibu – 4500W, 208V	SMAL-60240L1B	95 [241]	19.5 [50]	59 [150]
Malibu – 6000W, 240V	SMAL-60240L1B	95 [241]	19.5 [50]	59 [150]

Must be installed in a fixed location, refer to Solaira Alpha Reference Manual for all installation guidelines and restrictions.

HEATER SPECIFICATIONS

Heater Body	Aircraft Grade Extruded Aluminium
Weight (H1, H2, H3)	92lbs / 41.5kg
Emitter	Solaira Candle Ultra Low Light Emitter
Reflector	Gold Anodized Mirror Polished Aluminium
Emitter Guard	Nickel Dipped Carbon Steel Wire Cage
Ingress Protection	IP-55 Resistance for Low Pressure Water Jets
Power Supply	High Temperature Silicone Leads (6'7" / 2.0m) per element

COVERAGE PATTERNS



HEATER	MODEL NO.	COVERAGE WHEN MOUNTED AT (ft [m])	CONCENTRATED HEATED AREA			OVERALL HEATED AREA	
			WIDTH (ft [m])	DEPTH (ft [m])	HEAT DENSITY (W/ FT²)	DIAMETER (ft [m])	HEAT DENSITY (W/ FT²)
MALIBU – 4500W, 208V	SMAL-60240L1B	8 [2.4]	5.5 [1.7]	3.3 [1]	17	14.5 [4.4]	10
MALIBU – 6000W, 240V	SMAL-60240L1B	8 [2.4]	6 [1.8]	3.5 [1.1]	22	16 [4.9]	12

ENGINEER AND ARCHITECT SHORT FORM SPECIFICATION

Heaters shall be cCSAus listed and certified to UL2021, 3rd edition and CSA 22.2 46-13 with CSA seal and certification number clearly visible on back of radiant heater. Heater model number and capacities, voltages, wattages, and all accessories should be indicated on the heater schedule.

Fixture Construction Heater shall be constructed with 2mm 6063 aircraft grade, extruded, polyester powder coated aluminum. Heater shall be rated IP55 or greater to protect against dust limited ingress and low-pressure jets of water from all directions. Accessories and all threaded hardware shall be stainless steel, Heater end caps shall be constructed from die cast aluminum with air vents for heat shedding. Heaters shall be serviceable from the front face while installed, the operator shall be able to replace the emitter bulb after its terminated life.

Junction Boxes Heaters shall come with IP55 Rated weatherproof junction boxes for each emitter, with single phase wiring capability. Electrical terminations shall be made in a high strength, high temperature resistant PA 66 watertight box complete with silicone gasket and self tapping stainless steel and will be attached to the heater body.

Emitters Shall be 11mm in diameter and provide shortwave wavelengths between 1000-1300nm to convert and deliver 92% radiant efficiency. Emitters will be manufactured utilizing tubular quartz with tungsten coil and shall be coated for glare reduction, known as Standard Low Glare or Ultra Low Glare Candel™, to reduce light output by minimum 40%. Emitter coil temperatures shall reach minimum 2200°C during operation.

Reflectors Shall be constructed of 0.8mm gold anodized aluminum, 87% reflectivity. Reflectors shall provide a distribution pattern angle of 30 degrees.

Control: All controls are accessories and should be specified project specific. Please consult technical sales when determining suitable controls for your application.

Accessories: Omnis Controls, Thermostats, Occupancy Sensors, Timers. Refer to ALPHA Data Sheet for alternative post options.

Specification subject to change without notice.

For detailed specifications please download the Solaira 3 Part Guide Specification available at www.solairaheaters.com

Due to ongoing product improvements, specifications and dimensions are subject to change without notice and without incurring obligations. Inforesight Consumer Products Inc. use terms and conditions may be reviewed at: <https://www.solairaheaters.com/privacy-policy/>

Solaira[®]™ is a registered trademark of Inforesight Consumer Products Inc.

125 Traders Blvd. # 4, Mississauga, Ontario, Canada, M4Z 2H3

Tel: 905-568-7655, EXT23 SERVICE, Fax:905-568-7521

info@solairaheaters.com