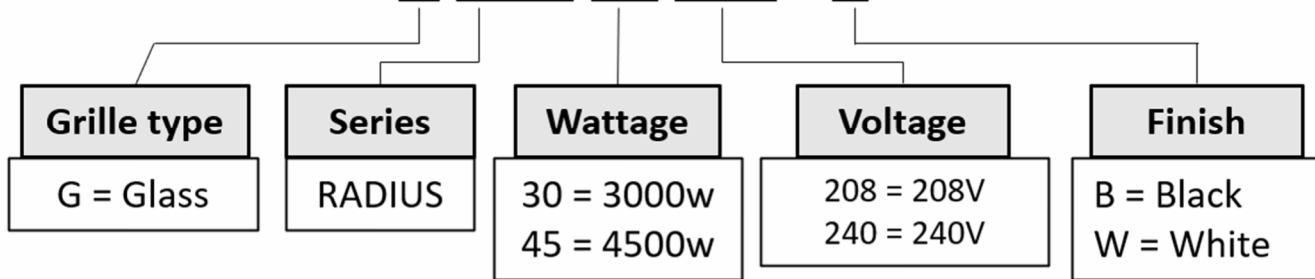


PROJECT NAME:		DATE:	
ADDRESS:			
ENGINEER:			
ARCHITECT:			
CONTRACTOR:			
SUBMITTED BY:			
APPROVED BY:			



Intertek
 5030986
 CERT. TO CSA STD. 22.2 #46
 CONFORMS TO UL STD. 2021

G RAD 45 240 - B



Qty	Tag	Description	Model Number	Finish	# of Emitters	Wattage	Voltage	Amperage	BTUs
		Radius – 3000W / 208V	GRAD30208	B W*	3	3000	208	14.4	10200
		Radius – 4500W / 208V	GRAD45208	B W*	3	4500	208	21.6	15350
		Radius – 3000W / 240V	GRAD30240	B W*	3	3000	240	12.5	10200
		Radius – 4500W / 240V	GRAD45240	B W*	3	4500	240	18.8	15350

**W available by special order only at this time.

ACCESSORIES

Qty	Model Number	Finish	Description	Notes
Accessories:				
	RADPOLE48-B	B W	RADIUS 48" Suspension Pole	18" Pole Included with GRAD30 Heaters 24" Pole Included with GRAD45 Heaters

Refer to Solaira Controls Submittal Data Sheet for all Controls Equipment.

CONTROLS

Refer to Solaira Controls Submittal Data Sheet for all Controls Equipment.

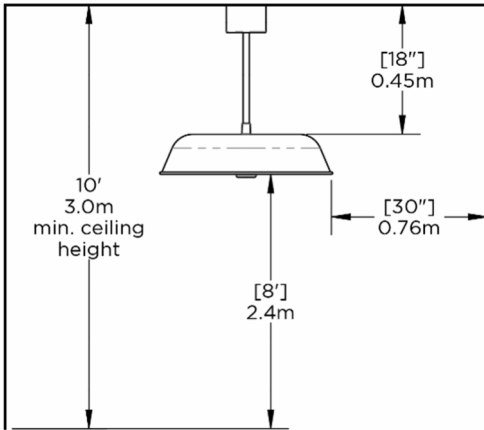
SOLAIRA RADIUS SERIES

ELECTRIC RADIANT HEATERS

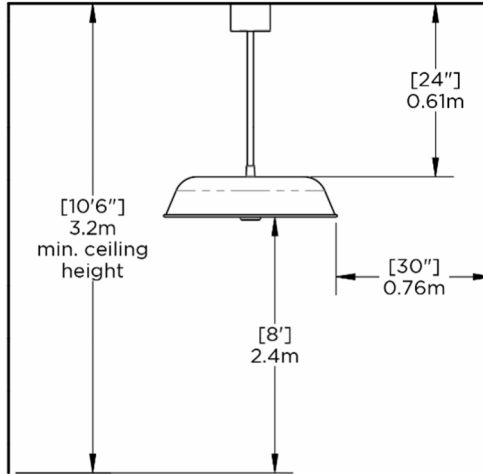
CLEARANCE REQUIREMENTS & MOUNTING CONFIGURATIONS

SUBMITTAL SHEET

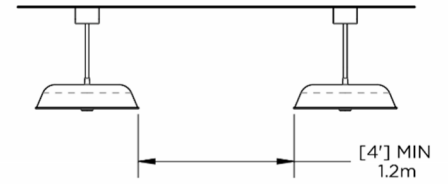
3000W CLEARANCES



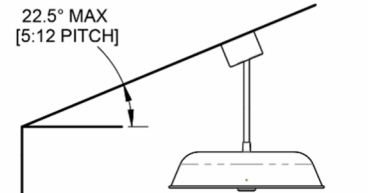
4500W CLEARANCES



DISTANCES BETWEEN HEATERS



ANGLED CEILINGS

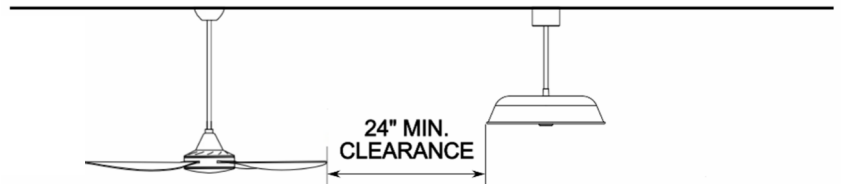


Heater		Clearances		
Description	Model Number	Minimum Mounting Height (ft [cm])	Ceiling Clearance (Inch [cm])	Side Wall Clearance (Inch [cm])
RADIUS – 3000W	GRAD30X	8 [240]	18 [45]	30 [76]
RADIUS – 4500W	GRAD45X	8 [240]	24 [61]	30 [76]

Refer to Solaira Radius Reference Manual for all installation guidelines and restrictions. Radius heater must be installed with overhead cover. When installing on angled ceilings greater than 5:12 pitch, a buildout is required. Heater must be installed onto a standard ceiling surface mounted outlet box. Supply wires must be rated for at least 194°F / 90°C.

CEILING FAN CLEARANCE REQUIREMENTS

- Always maintain 24" clearance between heater and ceiling fans.
- When ceiling fan is dropped below front face of the heater, always maintain 24" between edge of the beam pattern and ceiling fans.
- Refer to Ceiling Fan Clearance Document for additional info.

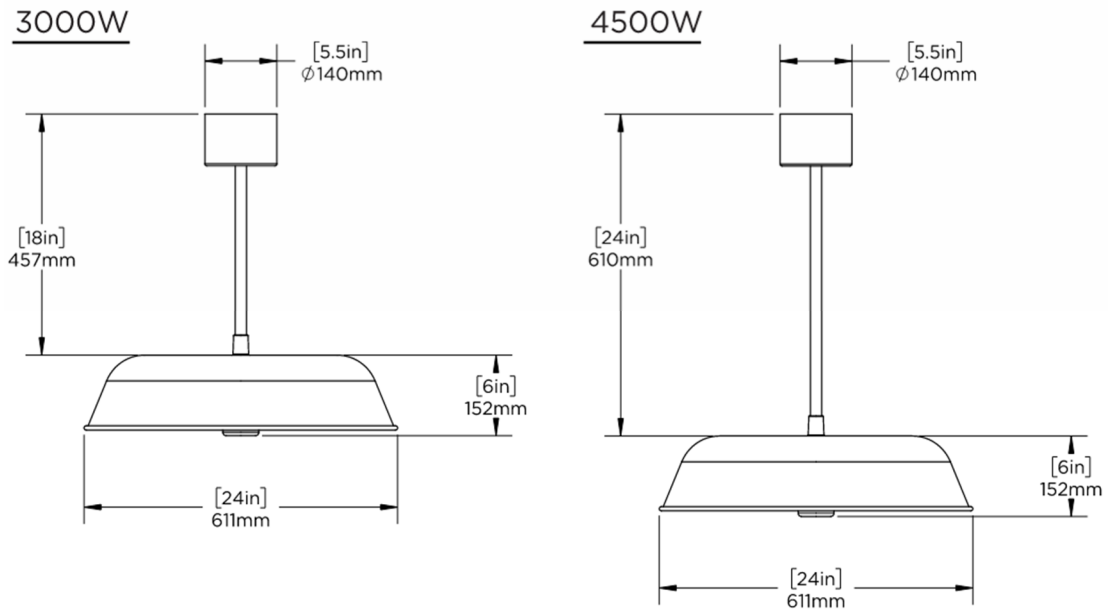


SOLAIRA RADIUS SERIES

ELECTRIC RADIANT HEATERS

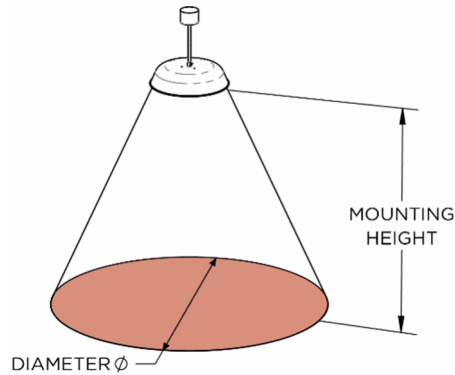
HEATER SPECIFICATIONS

SUBMITTAL SHEET



Heater Body	Spun aircraft aluminum dome, cast aluminum core
Weight	32lbs / 14.5kg
Coating	UV Resistant Polyester Powder coat
Emitter	Solaira Candel Ultra Low Light Emitter
Reflector	Silver Anodized Mirror Polished Aluminium
Emitter Guard	High-Temperature Ceramic Glass
Ingress Protection	None
Power Supply	High Temperature PFA Leads

COVERAGE PATTERNS



HEATER	MODEL NO.	COVERAGE WHEN MOUNTED AT (ft [m])	DIAMETER (ft [m])	AVERAGE HEAT DENSITY (W/ FT ²)
RADIUS – 3000W	GRAD30X	8 [2.4]	8 [2.4]	20
RADIUS – 4500W	GRAD45X	8 [2.4]	10 [3.1]	20
		10 [3.1]	12 [4.3]	15

ENGINEER AND ARCHITECT SHORT FORM SPECIFICATION

Heaters shall be ETL listed and certified to UL2021, 3rd edition and CSA 22.2 #46 with ETL seal and certification number clearly visible on the canopy of radiant heater. Heater model number and capacities, voltages, wattages, and all accessories should be indicated on the heater schedule.

Fixture Construction Heater shall be constructed with 2mm 5000 series aircraft grade aluminum, spun, polyester powder coated. Accessories and all threaded hardware shall be stainless steel, Heater core shall be cast aluminum. Heaters shall be serviceable from the front face while installed, the operator shall be able to replace the emitter bulb after its terminated life. Heater shall be supplied with 4mm thick high strength ceramic glass.

Emitters Shall be 12mm in diameter and provide shortwave wavelengths between 1000-1300nm to convert and deliver 92% radiant efficiency. Emitters will be manufactured utilizing tubular quartz with tungsten coil and shall be coated for glare reduction, known as Standard Low Glare or Ultra Low Glare Candel™, to reduce light output by minimum 40%. Emitter coil temperatures shall reach minimum 2200°C during operation.

Reflectors Shall be constructed of 0.8mm gold anodized aluminum, 87% reflectivity. Reflectors shall provide a distribution pattern angle of 45 degrees.

Control: All controls are accessories and should be specified project specific. Please consult technical sales when determining suitable controls for your application.

Accessories: 48" Radius Suspension pole for high ceiling applications, Omnis Controls, Thermostats, Occupancy Sensors, Timers.

Specification subject to change without notice.

For detailed specifications please download the ICR Series 3 Part Guide Specification available at www.solairaheaters.com

Due to ongoing product improvements, specifications and dimensions are subject to change without notice and without incurring obligations. Inforesight Consumer Products Inc. use terms and conditions may be reviewed at: <https://www.solairaheaters.com/privacy-policy/>

Solaira[®]™ is a registered trademark of Inforesight Consumer Products Inc.

125 Traders Blvd. # 4, Mississauga, Ontario, Canada, M4Z 2H3

Tel: 905-568-7655, EXT23 SERVICE, Fax:905-568-7521

info@solairaheaters.com