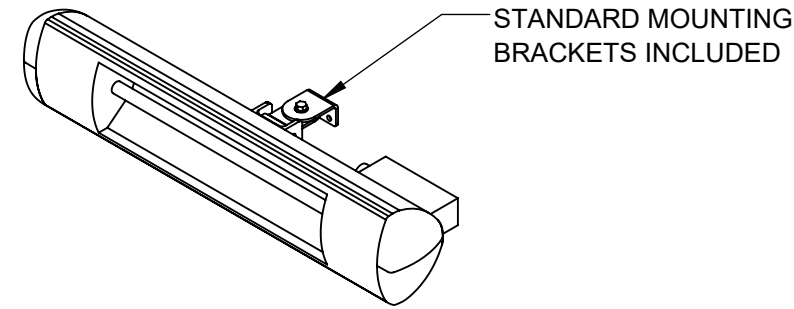
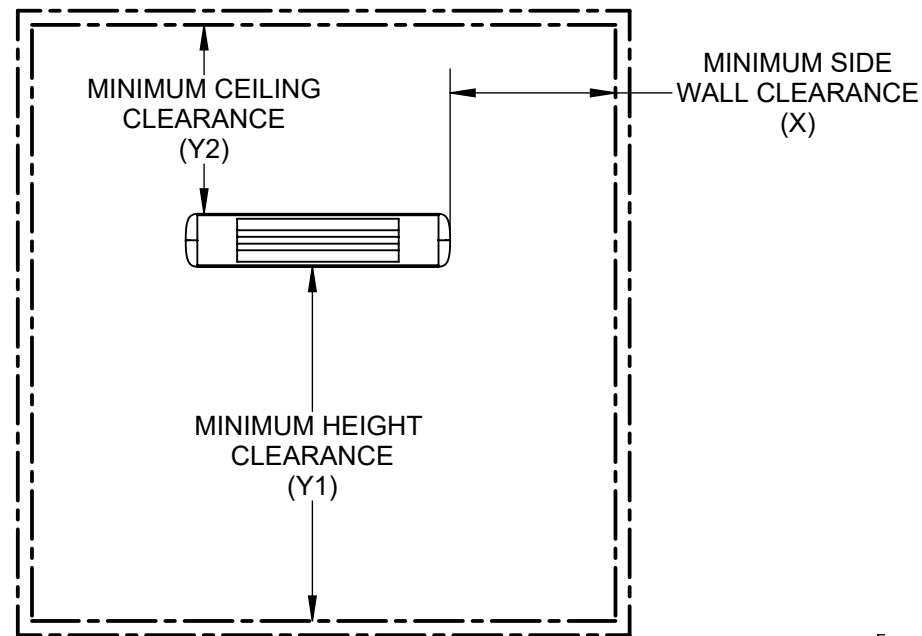


## HEATER CLEARANCE REQUIREMENTS

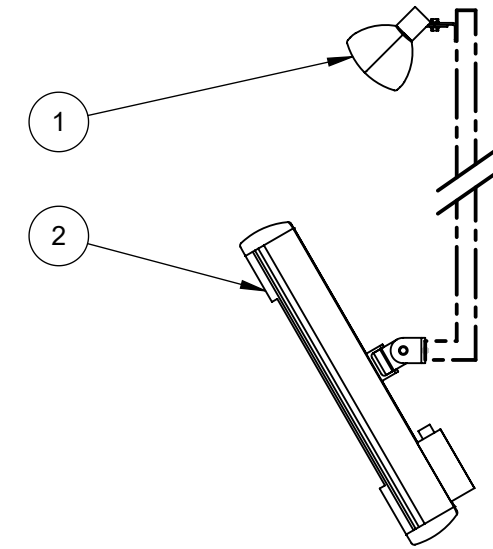
SEE 'HEATER SPECIFICATIONS' TABLE



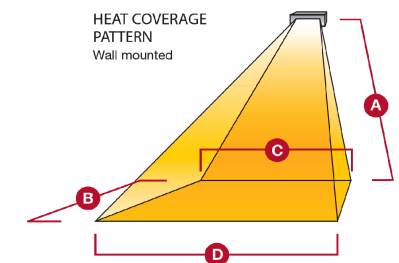
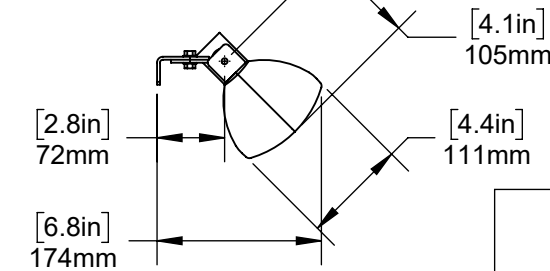
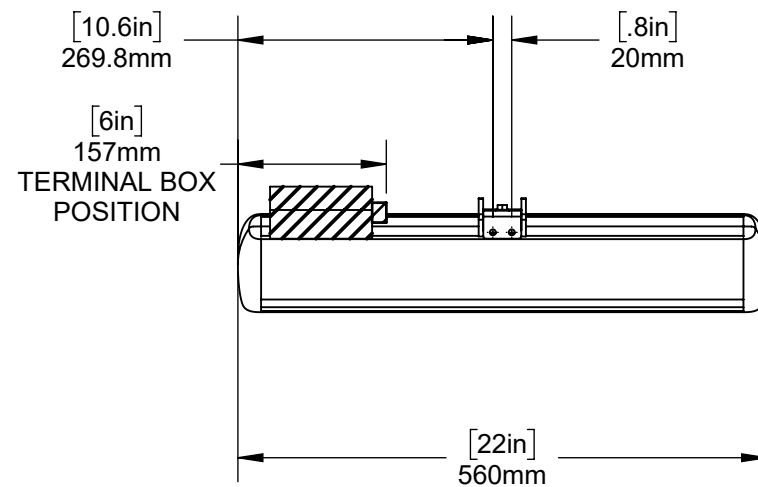
ISOMETRIC VIEW

## SUITABLE MOUNTING CONFIGURATIONS

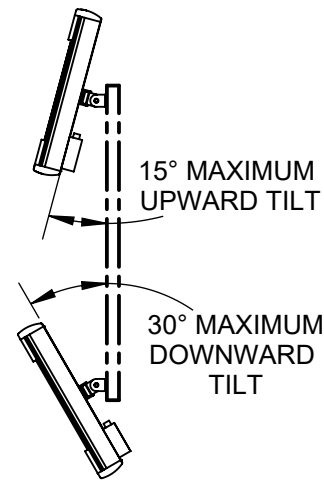
1. WALL MOUNTED
2. VERTICAL - TILTED



## OVERALL SIZE AND MOUNTING DIMENSIONS



## VERTICAL TILTED



6' MINIMUM FRONTAL CLEARANCE TO ALL FLAMMABLE OBJECTS

45° MINIMUM  
50° MAXIMUM

**⚠ SHORTWAVE INFRARED HEATERS FOR:**  
**INDOOR USE - RESIDENTIAL (1500W ONLY\*), COMMERCIAL AND INDUSTRIAL**  
**OUTDOOR USE - RESIDENTIAL, COMMERCIAL AND INDUSTRIAL**  
**FOR USE IN NON-HAZARDOUS AREAS ONLY**  
 \*2000W HEATER IS NOT SUITABLE FOR INDOOR RESIDENTIAL USE

MODEL	A (FEET)	B (FEET)	C (FEET)	D (FEET)	HEAT ZONE* (SQUARE FEET)	HEAT DENSITY* (WATTS/SQUARE FEET)
SCOSYXL15120	6.6	9	8	11	90	16
SCOSYXL15240	6.6	9	8	11	90	16
SCOSYXL15240-L1	6.6	9	8	11	90	16

## \*\*HEATER SPECIFICATIONS

DESCRIPTION	SKU	WEIGHT (LBS/KG)	240V						208V							
			POWER (WATTS)	HEAT DELIVERED (BTU)	VOLTAGE (VOLTS)	CURRENT (AMPS)	MINIMUM HEIGHT (INCH/cm) (Y1)	CEILING CLEARANCE (INCH/cm) (Y2)	SIDE WALL CLEARANCE (INCH/cm) (X)	POWER (WATTS)	HEAT DELIVERED (BTU)	VOLTAGE (VOLTS)	CURRENT (AMPS)	MINIMUM HEIGHT (INCH/cm) (Y1)	CEILING CLEARANCE (INCH/cm) (Y2)	SIDE WALL CLEARANCE (INCH/cm) (X)
COSY XL - 1500W / 120V	SCOSYXL1512*	6.8/2.8	1500	5100	120	12.5	79/201	11.75/30	40/100	N/A						
COSY XL - 1500W / 240V	SCOSYXL1524*	6.8/2.8	1500	5100	240	6.3	79/201	11.75/30	40/100	1125	3825	208	5.4	79/201	11.75/30	40/100
COSY XL - 2000W / 240V	SCOSYXL2024*	6.8/2.8	2000	6800	240	8.7	79/201	11.75/30	40/100	1500	5100	208	7.2	79/201	6/15	40/100
COSY XL CANDEL - 1500 / 240V	SCOSYXL240-L1*	6.8/2.8	1500	5100	240	6.3	79/201	11.75/30	40/100	1125	3825	208	5.4	79/201	11.75/30	40/100

SKU NOTES: \*SEE PRODUCT CATALOGUE FOR STANDARD COLOR OPTIONS. L1 DENOTES CANDEL LOW LIGHT LAMP. ALL HEATERS COME WITH STANDARD 6.5" L BRACKETS | \*\* SPECIFICATIONS SUBJECT TO CHANGE WITHOUT NOTICE

<b>A</b>	<b>2019-03-08</b>
REVISION	DATE: YYYY-MM-DD



Certified to UL2021 and CSA 22.2

**Solaira**  
The Architect and Engineers Choice

MODEL  
**SOLAIRA XL H1**

SHEET NO. 1 OF 1	SHEET SCALE 1:8	SHEET SIZE 11X17
---------------------	--------------------	---------------------

NOTICE: THIS DOCUMENT IS NOT A SUBSTITUTE FOR APPROVED MANUAL. Failure to follow instruction manual may cause fire, electric shock or injury to persons. Solaira™ is a registered trademark of Inforesight Consumer Products. Customer, contractor specifier and installer understands that some or all products provided by Inforesight Consumer Products Inc. may not be available for purchase or installation in certain jurisdictions or geographical areas. Inforesight Consumer Products Inc. reserves the right, in its sole discretion, to exclude or otherwise limit the provision of any product to a person or entity residing in any jurisdiction or geographical area outside of Canada. Inforesight Consumer Products Inc. provides general product installation guidelines and procedures and Customer, contractor, specifier and installer understands that Customer, contractor, specifier and installer is solely and exclusively responsible for installation of the product and ascertaining all applicable local municipal, provincial, state, and federal NEC (National Electrical Code) rules, by-law, ordinances and guidelines applicable to the installation of any Inforesight Consumer Products Inc. products. Customer contractor, specifier and installer must strictly adhere to and be compliant with the local rules, laws, ordinances and legal requirements for the safe installation and use of any Inforesight Consumer Products Inc. products. Instruction manuals are included with the product packaging and copies of our instruction manuals are available upon request. Under no circumstances shall Inforesight Consumer Products Inc. or its affiliated entities, employees, agents, shareholders, officers or directors be liable to Customer or any third party for any product installations and Customer, contractor, specifier and installer releases Inforesight Consumer Products Inc. from any and all losses, death, personal injury, property damage, other damages, rights, claims, demands and actions of any kind arising from the Customer's installation and use of the product, whether the installation was or was not in accord with the provided instruction manual and/or in compliance with applicable local laws. Solaira products are to be installed by licensed technicians per instruction manuals and to all provincial/state and national (N.E.C.) code requirements; specifications subject to change without notice.