



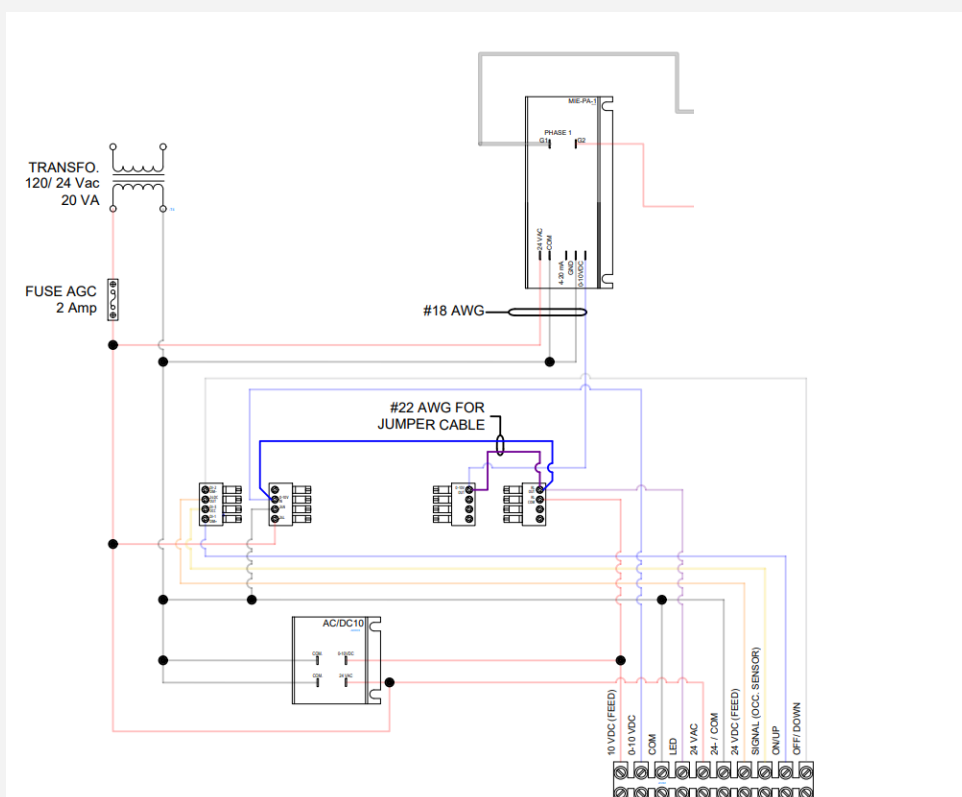
# PSST-MAXTIM Installation Guide

**Disclaimer:** Connection diagram is for illustrative purposes only. Installation must be carried out by certified electrician to local, state/provincial and N.E.C. codes. Inforesight Consumer Products assumes no responsibility for heater or controller electrical plan or installation

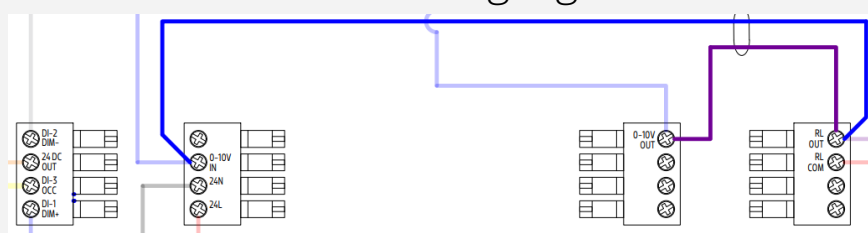
**FIELD MODIFICATIONS SHOULD BE PERFORMED BY QUALIFIED ELECTRICIAN**

## 1. Remove blue and purple jumper cables from terminal connectors

See a partial diagram of a base OMNIS Model

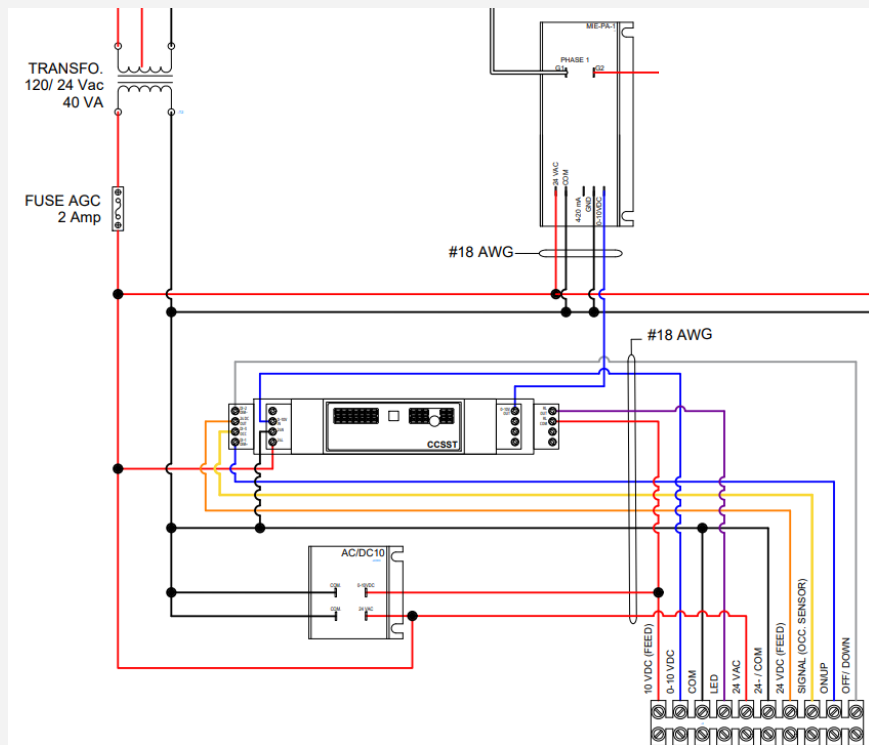


Remove the purple and blue wires from the terminal connectors highlighted

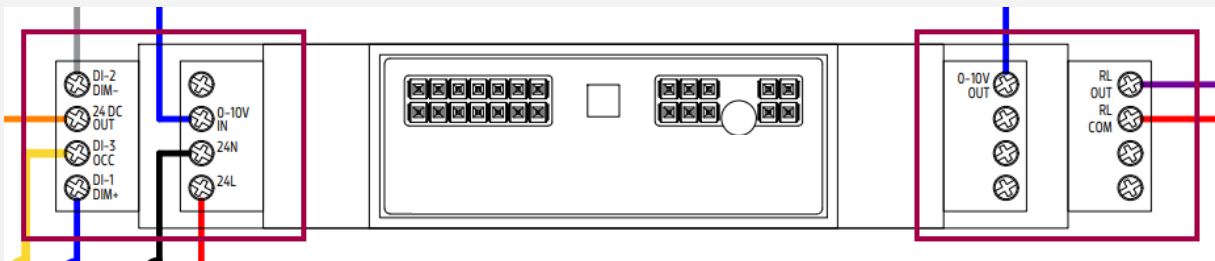


## 2. Attach PSST-MAXTIM to the DIN rail and connect the 4 terminal connectors

Attach PSST-MAXTIM following the wiring diagram below



Connect terminal connections to PSST-MAXTIM as seen highlighted below

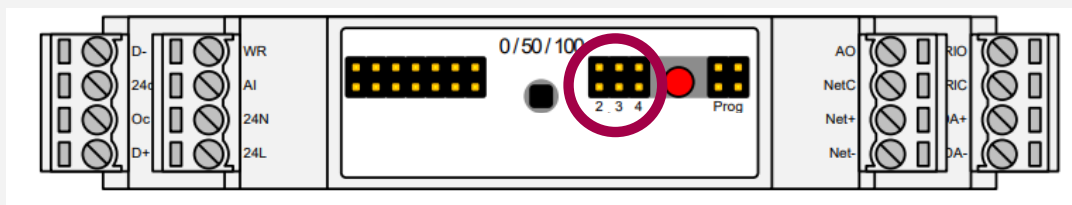


## 3. Adjust to desired soft-start timing

The PSST-MAXTIM module will come with 3 jumper pins



The jumper pins connect to the column of numbered pins highlighted in red below.



To adjust the module to your desired timing, attach or detach the jumper pins on the top of the PSST-MAXTIM based on the table below.

Jp2	Jp3	Jp4	Delay
			1 minute
✓			15 minutes
	✓		30 minutes
✓	✓		1 hour
		✓	2 hours
✓		✓	4 hours
	✓	✓	8 hours
✓	✓	✓	No delay

Example for a 1 hour delay, attach 2 jumper pins to column 2 and 3, then remove the jumper pin from column 4